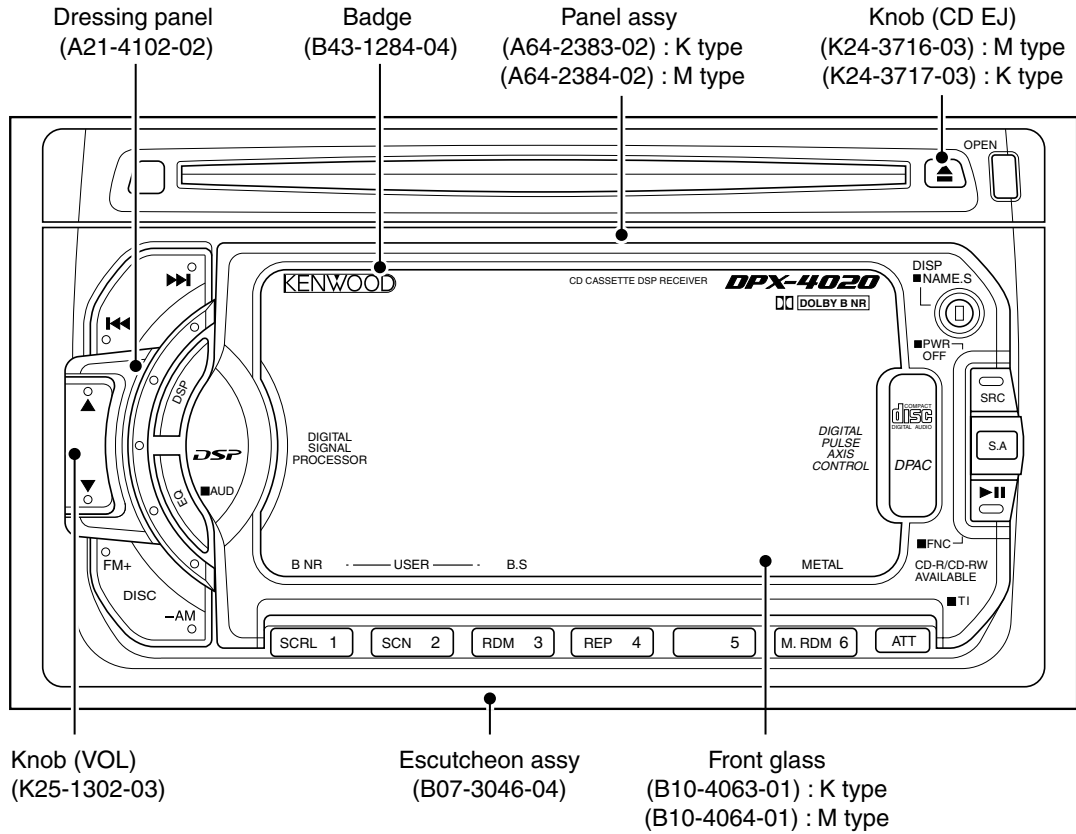
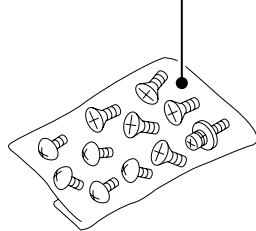


DPX-4020

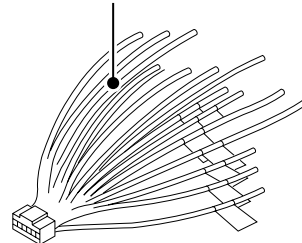
SERVICE MANUAL



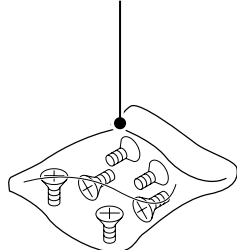
Screw set (N99-1701-05) : M type



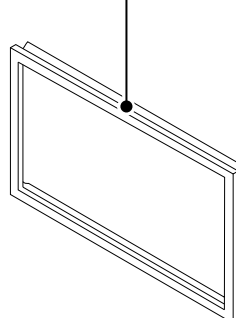
DC cord (E30-4939-05)



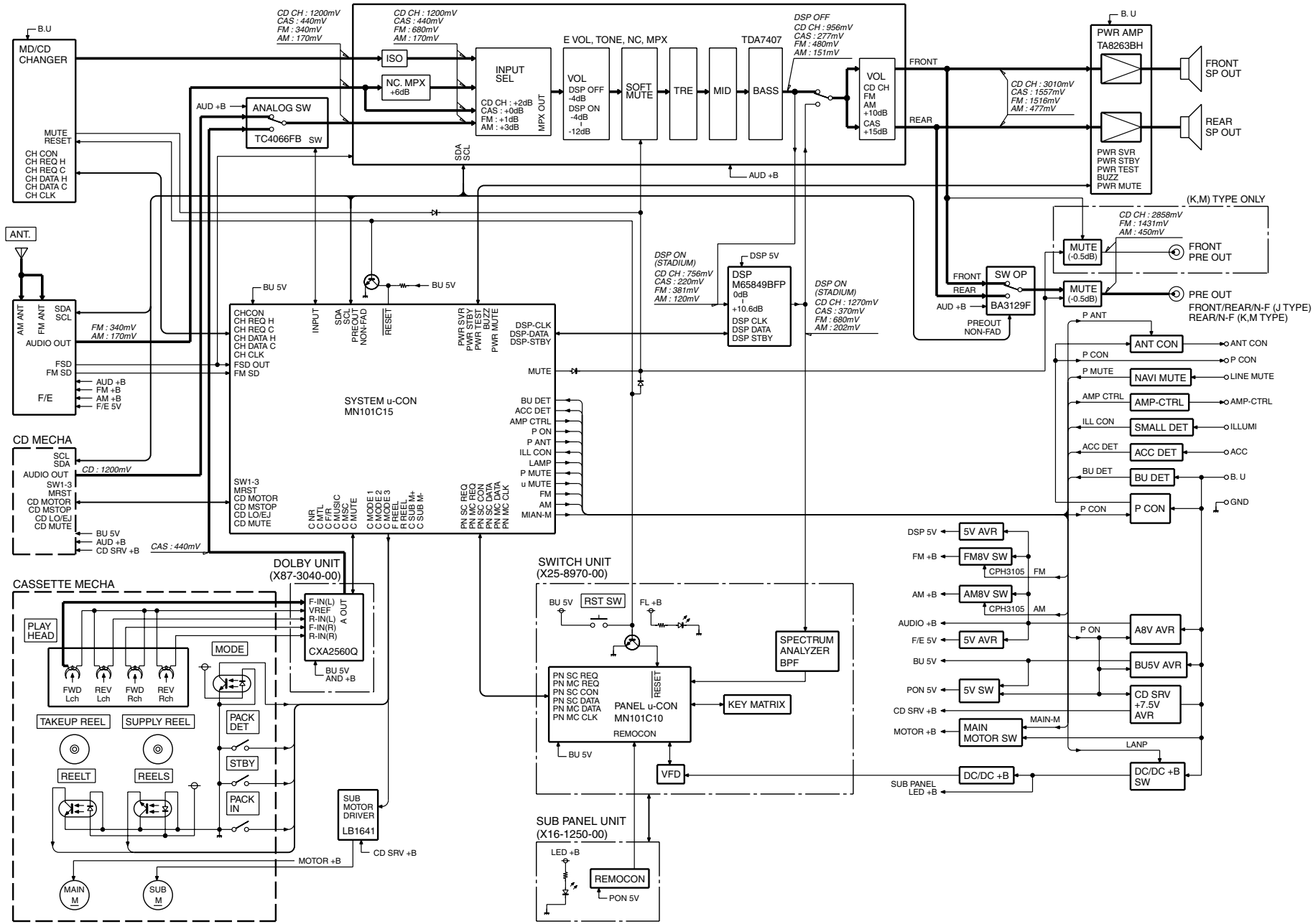
Screw set (N99-1711-05) : K type



Escutcheon assy (B07-3047-04) : K type



BLOCK DIAGRAM



COMPONENTS DESCRIPTION

● SYNTHESIZER UNIT (X14-6710-XX)

Ref.No.	Component Name	Application/Function	Operation/Condition/Compatibility
IC1	MN101C15FCP	System micom	
IC2	TDA7407	Electronic volume	
IC3	TC4066BF(N)	Analog SW	Voice signal input switching (CD,MD,CASSETTE)
IC4	M65849BFP	DSP IC	
IC5	BA3129F	Switching ope-amplifier	Voice signal output switching (FRONT,REAR)
IC7	TA8263BH	PWR IC	
IC8	LB1641	Motor driver	For cassette mechanism sub-motor
IC9	PST9135NR	Reset IC	Reset 3.5V voltages
IC10	TC7W02FU	Logic IC(OR)	Rogic circuit for MUTE
IC11	M5237ML	Power source IC	Reg for A8V
Q1	2SC4081	Power source SW for F/E VDD 5V	ON:F/E VDD 5V output
Q2	CPH3105	Power source SW for FM	ON:FM+B 8V output
Q3	CPH3105	Power source SW for AM	ON:AM+B 8V output
Q4	FMG1A	Power source control SW for FM/AM	ON:FM+B/AM+B 8V output
Q101	2SB1443	Power source SW for main motor	ON:Main motor ON
Q102	DTC144EK	Power source control SW for main motor	ON:Main motor ON
Q201	DTC143TK	MUTE SW	ON:MUTE
Q202	DTC143TK	MUTE SW	
Q301	DTC143TK	MUTE SW	
Q302	DTC143TK	MUTE SW	
Q401	DTC124EUA	SW for electronic volume mute	ON:MUTE
Q402	FMC2A	SW for analog switch control	
Q403	DTC144EUA	SW for switching ope-amplifier control	
Q404	DTC144EUA	SW for power IC mute terminal contorol	ON:Temperature protection OFF (Test mode)
Q405	DTA114EUA	Control terminal for MUTE (preout)	ON:MUTE
Q406	DTA114EUA	Control terminal for MUTE (preout)	ON:MUTE
Q407	DTA114EUA	SW for electronic volume mute	ON:MUTE
Q601	DTC114YUA	SW for system micom reset	ON:REEST
Q602	DTA124EUA	SW for RESET IC output	ON:REEST
Q701	DTC144EUA	SW for BU serge detection	ON:Serge(power down)
Q702	FMW1	SW for BU/ACC detection	ON:Power down
Q703	DTC144EUA	SMALL detection SW	ON:SMALL ON
Q705	DTA124EUA	SW for external amplifier control	
Q706	2SB1277(Q,R)	SW for P-CON	ON:P-CON output
Q707	2SA1037K	SW for P-CON over-electric current protect	ON:Stop P-CON output
Q708	DTA124EUA	Control SW for P-CON over-electric current protect	ON:Stop P-CON output
Q709	DTC114YUA	Control switch for P-CON	ON:P-CON output
Q710	2SB1277(Q,R)	SW for P-ANT	ON:P-ANT output
Q711	DTC114YUA	Control switch for P-ANT	ON:P-ANT output
Q712	2SB1548(P)	Power source switch for BU 5V	
Q713	2SC4081	Power source switch for BU 5V (Darling ton)	
Q714	IMD16A	Power source switch for PON 5V	ON:PON 5V output
Q715	FMC2A	Power source control switch for analog+B	ON:Analog+B 8V output
Q716	2SB1548(P)	Power source switch for analog+B	ON:Analog+B 8V output
Q717	2SD1766	Power source switch for DSP+B	ON:DSP+B 5V output
Q718	FMC2A	Power source control switch for servo+B	ON:Servo+B 7.5V output
Q719	2SB1548(P)	Power source switch for servo+B	ON:Servo+B 7.5V output
Q720	2SC4081	Power source switch for servo+B(Darling ton)	ON:Servo+B 7.5V output
Q724	2SB1548(P)	Power source switch for servo+B	ON:Servo+B 7.5V output
Q901	FMC3A	Power source control switch for ILLUMI+B	ON:ILLUMI+B 14.4V output
Q902	2SB1446	Power source switch for ILLUMI+B (Darling ton)	ON:ILLUMI+B 14.4V output
Q903	2SC4081	Power source switch for ILLUMI+B	ON:ILLUMI+B 14.4V output

DPX-4020

COMPONENTS DESCRIPTION

● SUB CIRCUIT UNIT (X16-1250-00)

Ref.No.	Component Name	Application/Function	Operation/Condition/Compatibility
IC1	SBX-3050	Remote control IC	Light receive port of remote controller

● DOLBY UNIT (X87-3040-00)

Ref.No.	Component Name	Application/Function	Operation/Condition/Compatibility
IC1	CXA2560Q	DOLBY IC	PRE-AMP/DOLBY-EQ
Q1	KRC103S	Between-music detection level adjustment FF/REW	FF/REW ON

● SWITCH UNIT (X25-8970-00)

Ref.No.	Component Name	Application/Function	Operation/Condition/Compatibility
IC1	MN101C10AAL	Panel micom	Display mechanism & key matrix control
IC2	BA3830F	BAND PASS IC (Spectrum analyzer)	Signal data from X14 are displayed with strength of frequency
Q1	DTC114EUA	RST switch	H:RST
Q2	2SK3018	Analog signal AGC	Auto gain control of analog signal
Q3	UMC3N	SW5V	H:ON
Q4	FMC4A	SW for VFD logic power source	H:ON
Q5	DTC114EUA	VFD blanking control	H:ON

MICROCOMPUTER'S TERMINAL DESCRIPTION

● SYSTEM μ -COM (IC1:X14-6710-XX) MN101C15FCP

Pin.No.	Pin name	I/O	Description	Processing Operation
1	VREF-	-	Connected to GND.	
2	NC	I	Not used. Connected to GND.	
3	FM_SD	I	FM SD input.	
4	F_REEL	I	Reel pulse (FWD) detection.	Hi-Z
5	R_REEL	I	Reel pulse (REV) detection.	Hi-Z
6	NC	I	Not used. Connected to GND.	
7	ACC_DET	I	Acc detection input.	
8	SMALL	I	SMALL detection input.	
9	LINE MUTE	I	LINE MUTE detection input.	
10	VREF+	-	A/D converter. Reference voltage input terminal.	
11	VDD	-	Main power input.	
12	X' Tal (8.38)	O	Connected to main clock.	
13	X' Tal (8.38)	I	Connected to main clock.	
14	VSS	-	Connected to GND.	
15	XI	I	Connected to GND.	
16	XO	O	Open.	
17	MMOD	I	Connected to GND.	
18	PN_MC_DATA	O	Data output to panel micom.	
19	PN_SC_DATA	I	Data input from panel micom.	
20	PN_MC_CLK	O	Clock output to panel micom.	
21	CH_DATAH	O	Data output to CD-CH.	
22	CH_DATA C	I	Data input from CD-CH.	
23	CH_CHCLK	I/O	Previous bus : Data input from CD-CH. New bus : Data output to CD-CH.	
24	BEEP	O	Beep output.	
25	RESET	I	System reset.	
26	CH_REQH	O	Send request output to CD-CH.	
27	CH_CON1	-	Operation control of CD-CH1.	
28	CH_CON2	-	Operation control of CD-CH2.	
29	P_ANT	-	Power ANT control.	
30	P_CON	-	External amplifier power control.	
31	BU_DET	I	Back up detection input.	
32	CH_REQC	I	Send request input from CD-CH.	
33	PN_SC_REQ	I	Send request input from panel micom.	
34	SEL1	-	IC2IV noise cancellation selection.	
35	SEL2	-	IC2IV noise cancellation selection.	
36	SDA	I/O	I2C data input/output.	
37	NC	-	Not used. (Open)	
38	SCL	O	I2C clock output.	
39	P_ON	-	Internal power control.	
40	LAMP	-	Key illumination control.	

DPX-4020

MICROCOMPUTER'S TERMINAL DESCRIPTION

Pin.No.	Pin name	I/O	Description	Processing Operation
41	PN_MC_REQ	O	Send request output to panel micom.	
42	PN_SC_CON	O	Operation control output of panel micom.	
43	NON_FAD	O	Control Non-Fad output. (ON/OFF)	
44	MUTE	O	Audio mute output.	
45	TYPE1	I	Destination type input.	
46	TYPE2	I	Destination type input.	
47	PNL_OPEN	-	Panel open detection.	
48	C_SUB_M-	O	C mechanism loading motor control.	L
49	C_SUB_M+	O	C mechanism loading motor control.	L
50	C_MAIN_M	O	C mechanism motor control.	L
51	C_MODE3	I	Sub-motor control SW3 (pack-in detection).	Hi-Z
52	C_MODE2	I	Sub-motor control SW2.	Hi-Z
53	C_MODE1	I	Sub-motor control SW1.	Hi-Z
54	CD_SW1	I	Input from CDSW1.(loading start SW)	
55	CD_SW2	I	Input from CDSW2.(12cm disc detection SW)	
56	CD_SW3	I	Input from CDSW3.(down & limit switch)	
57	CD_LO/EJ	-	CD mechanism loading motor control .(LO/EJ)	
58	CD_LMON	-	CD mechanism loading motor control .(ON/OFF)	
59	CD_MSTOP	O	Stop output to CD mechanism computer.	
60	CD_MRST	O	Reset output to CD mechanism.	
61	CD_MUTE	I	Mute input from CD mechanism.	
62	C_MUTE	O	EQ mute selection SW.	L
63	C_F/R	O	FWD/REV selection.	L
64	C_MSC	O	Between-music detection mode control.	L
65	C_NR	O	DOLBY control.(ON/OFF)	L
66	C_MS_IN	I	Between-music pulse detection input.	Hi-Z
67	C_MTL	O	METAL control.(ON/OFF)	L
68	DSP_DATA	O	Data output to DSP.	
69	DSP_CLK	O	CLK output to DSP.	
70	DSP_STB	O	Latch output to DSP.	
71	INPUT	-	Control input selected SW.	
72	NC	-	Not used.	
73	FM+B	-	FM power.	
74	AM+B	-	AM power.	
75	FSD_OUT	-	Station-meter detection.	
76	TEST	-	Power IC control.	
77	PW_MUTE	-	Power IC mute control.	
78	PWIC_STBY	-	Power IC standby control.	
79	PWIC_SVR	-	Power IC control.	
80	AMP_CTRL	-	External amplifier control.	

MICROCOMPUTER'S TERMINAL DESCRIPTION

● PANEL μ -COM (IC1 : X25-8970-00) MN101C10AAL

Pin.No.	Pin name	I/O	Description	Processing Operation
1	ANA4	I	Spectrum analyzer input.(1kHz)	H(Hi-Z)
2	ANA5	I	Spectrum analyzer input.(3.3kHz)	H(Hi-Z)
3	ANA6	I	Spectrum analyzer input.(10kHz)	H(Hi-Z)
4	NC	I	Not used. Connected to GND.	L(Hi-Z)
5	NC	I	Not used. Connected to GND.	L(Hi-Z)
6	VREF+	I	A/D converter. Reference voltage input terminal.	-
7	VDD	-	Main power input.	-
8	OSC2	-	Main clock connection.(16.0MHz)	-
9	OSC1	-	Main clock connection.(16.0MHz)	-
10	VSS	-	Connected to GND.	-
11	XI	I	Connected to GND.	L
12	XO	O	Not used.(Open)	-
13	MMOD	I	Connected to GND.	L
14	PN_SC_DATA	O	System computer communication.Data output terminal.	L
15	PN_MC_DATA	I	System computer communication.Data input terminal.	H/L(Hi-Z)
16	PN_MC_CLK	I	System computer communication.Clock input terminal.	H/L(Hi-Z)
17	VFD_DATA	O	VFD driver data output.	L
18	NC	O	Not used.(Open)	L
19	VFD_CLK	O	VFD driver clock output.	L
20	VFD_LAT	O	VFD driver latch output.	L
21	RST	I	Reset input.	-
22	VFD_BK	O	VFD driver blank output.	L
23	NC	O	Not used.(Open)	L
24	PON	O	P-ON 5V control.	L
25	NC	O	Not used.(Open)	L
26	PN_SC_REQ	O	System computer communication.Send request output.	L
27	PN_MC_REQ	I	System computer communication.Reception request input.	H(a)(Hi-Z)
28	PN_SC_CON	I	System computer communication.Panel operation control.	H(a)(Hi-Z)
29	REMOCON	I	Remote control signal input.	-
30	KR0	I	Key-return signal input 0.	-
31	KR1	I	Key-return signal input 1.	-
32	KR2	I	Key-return signal input 2.	-
33	KR3	I	Key-return signal input 3.	-
34	KR4	I	Key-return signal input 4.	-
35	KR5	I	Key-return signal input 5.	-
36	NC	O	Not used.(Open)	L
37	KS0	O	Key-scan signal output 0.	L
38	KS1	O	Key-scan signal output 1.	L
39	KS2	O	Key-scan signal output 2.	H
40	KS3	O	Key-scan signal output 3.	H
41~60	NC	O	Not used.(Open)	L
61	VREF-	I	Connected to GND.	L
62	ANA1	I	Spectrum analyzer input.(63Hz)	H(Hi-Z)
63	ANA2	I	Spectrum analyzer input.(150Hz)	H(Hi-Z)
64	ANA3	I	Spectrum analyzer input.(330Hz)	H(Hi-Z)

DPX-4020

TEST MODE / ADJUSTMENT

■ How to enter the test mode

While pressing on **[DSP]** + **[EQ]** or **[DSP]** + **[AM]** keys, press **[SRC]** key. It is possible to enter the test mode in this manner.

■ Test Mode Condition

When booted with all OFF.

The value for the volume is -10dB. (On display: 30)

Beep disabled.

All lights display.

CRSC: OFF (Only K/M type)

DSP: Bypass

EQ: Flat

SEP/ANA: Peak hold

However, when entering the test mode with **[DSP]** + **[AM]** key, the volume value will be -30dB with beep enabled.

The beep enable condition is such that, regardless of effective keys and non-effective keys, beeps are effective whenever keys are pressed.

■ Test Mode (Display)

Since there are many segment numbers in the display section, bridging with other segments can be confirmed (Only when the source condition is in all OFF.)

■ Test Mode (Source: CD)

When the disk is loaded, track No. 9 is the first track to be played.

The following keys are operated only when the source is CD.

When there are changes in the track numbers being played in other cases, the playing is continued.

[>>|] key selects only certain tracks.

[|<<] key selects by going down the tracks, as with the regular operation.

■ Test Mode (EQ Adjustment)

When displaying the source, by pressing **[EQ/AUD]** once quickly, adjustment mode is entered.

When **[1]** key is press: Flat

When **[2]** key is pressed: Full boost

Whne **[3]** key is pressed: Full cut

■ The settings for Q, Feq, Ex are fixed.

Bass	Q	2.0
	Feq	150Hz
	Ext	ON
Mid	Q	2.0
	Feq	1kHz
Treble	Feq	10KHz

■ Test Mode (Audio Adjustment)

While displaying the source, by pressing **[EQ/AUD]** key in an elongated manner, adjustment mode is entered. By continuing with **[FM]** , **[AM]** key, the following items may be selected and **[|<<]** and **[>>|]** keys can be used for adjustment.

* For balance adjustment, three steps of Right , Center , Left are set. (L15, R15)

* For fader adjustment, three steps of Front , Center , Rear are set. (F15, R15)

* For the amplifier control, OFF , 2

* Test Mode (Function at the time of ALL OFF Source)

By pressing **[PLAY/PAUSE]** key in an elongated manner during each sources, adjustment mode can be entered and the following items are selected with **[AM]** , **[FM]** keys. Adjustment will be conducted with **[|<<]** and **[>>|]** keys.

The following are added to each source functions (including CD and TAPE).

For Preout adjustment, Front , Rear , N-F

* Preout adjustment is the first item.

■ Releasing the Test Mode

Test mode is released by RESET, ACC OFF/ON, Power OFF/ON.

Also, Source, Tuner, and Audio are returned to initial condition by ACC OFF and Power OFF.

■ Backup current measurement compatible

Regardless of the test mode, when reset at ACC OFF condition (Backup is ON), MUTE will go OFF after two seconds. (The peripherals are not powered off unlit the CD/MD mechanism stops, it takes 2 seconds plus alpha.)

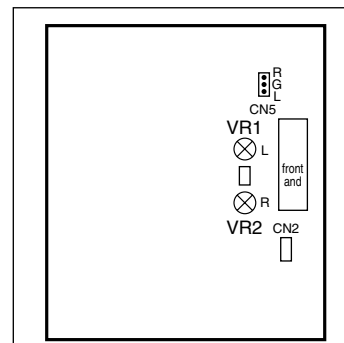
Adjustment

This model has no adjustment items.

Tuner section adjustment is conducted for individual F/E and adjustment cannot be conducted on a set.

Dolby adjustment

Play the Tape TCC-130 and adjust so that -6dBm (388mV) is achieved at test points for Lch/Rch, Fwd/Rev. For each channel, common difference within 2dB (310mV - 488mV)



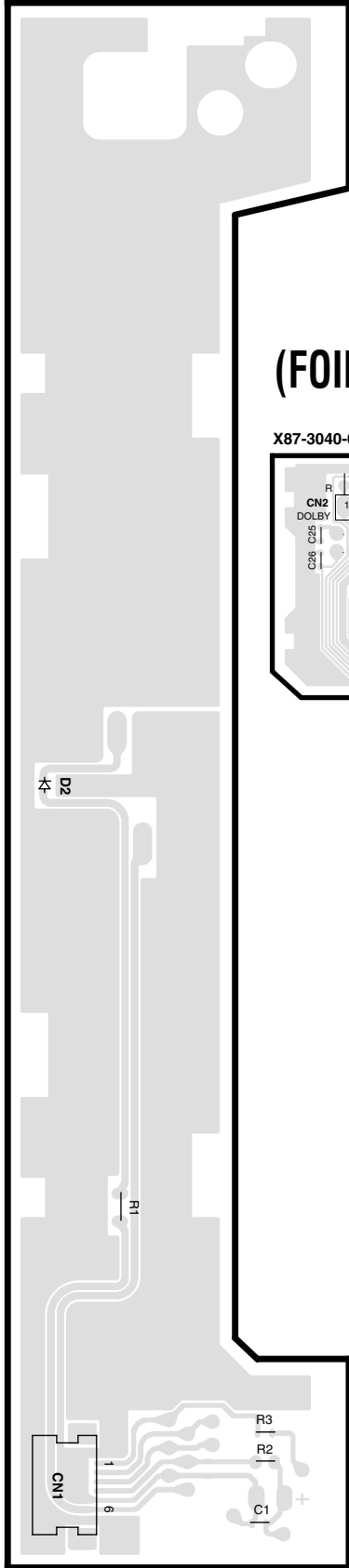
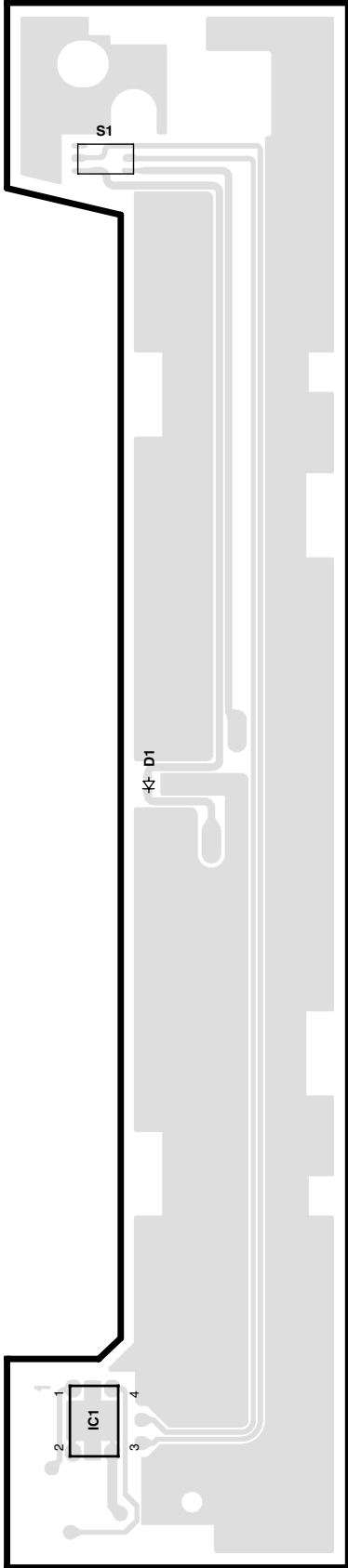
* Make an end of adjustment prior to shipment from the factory.

PC BOARD

(COMPONENT SIDE VIEW) (FOIL SIDE VIEW)

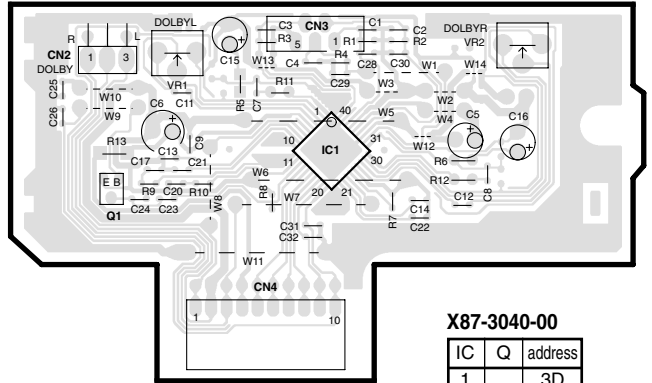
X16-1250-00 (J74-1225-02)

X16-1250-00 (J74-1225-02)



(FOIL SIDE VIEW)

X87-3040-00 (J74-1226-12)



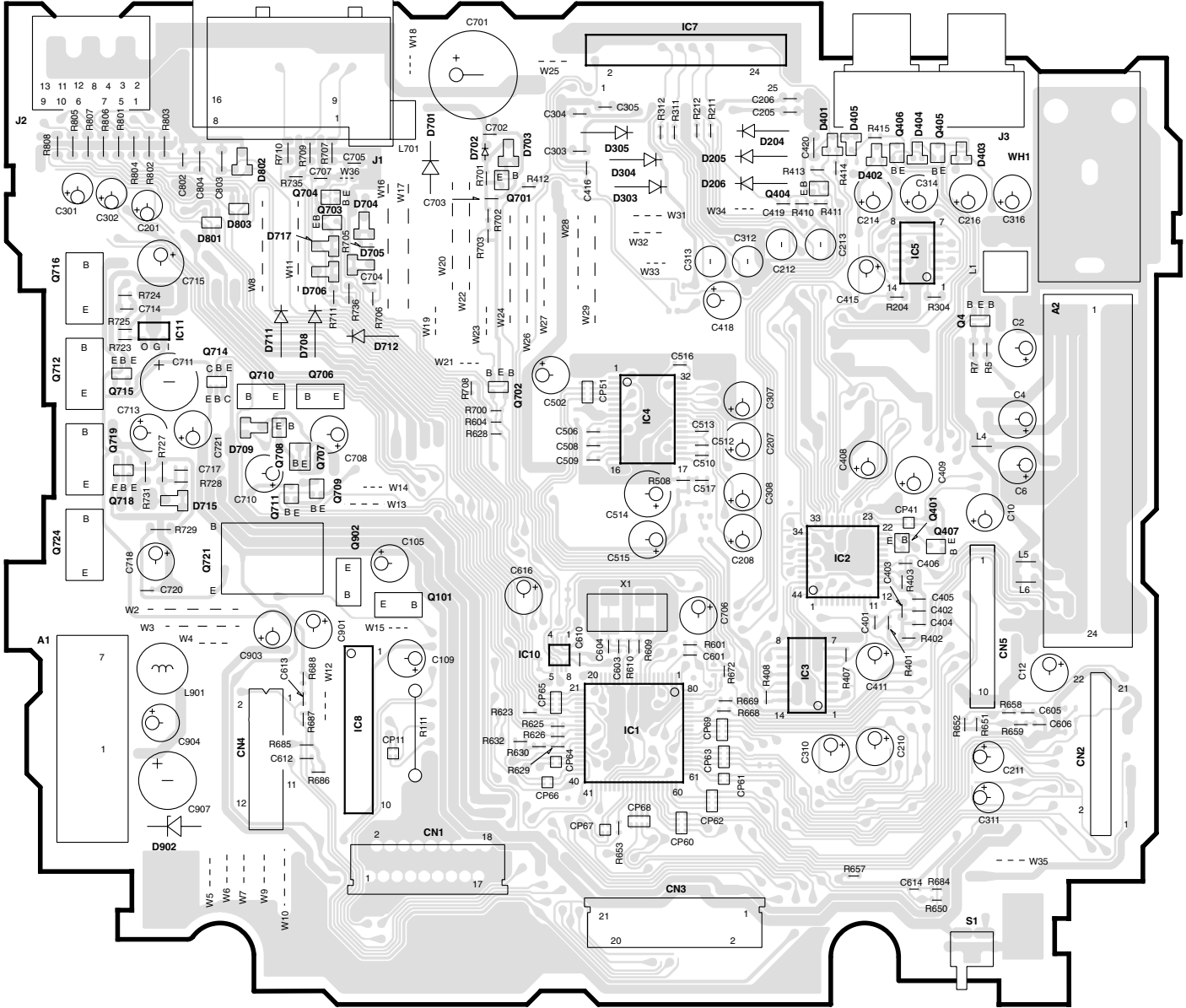
X87-3040-00		
IC	Q	address
1	1	3D 4C

X16-1250-00		
IC	Q	address
1		6A

Refer to the schematic diagram for the values of resistors and capacitors.

PC BOARD (COMPONENT SIDE VIEW)

X14-6710-XX (J74-1223-12)

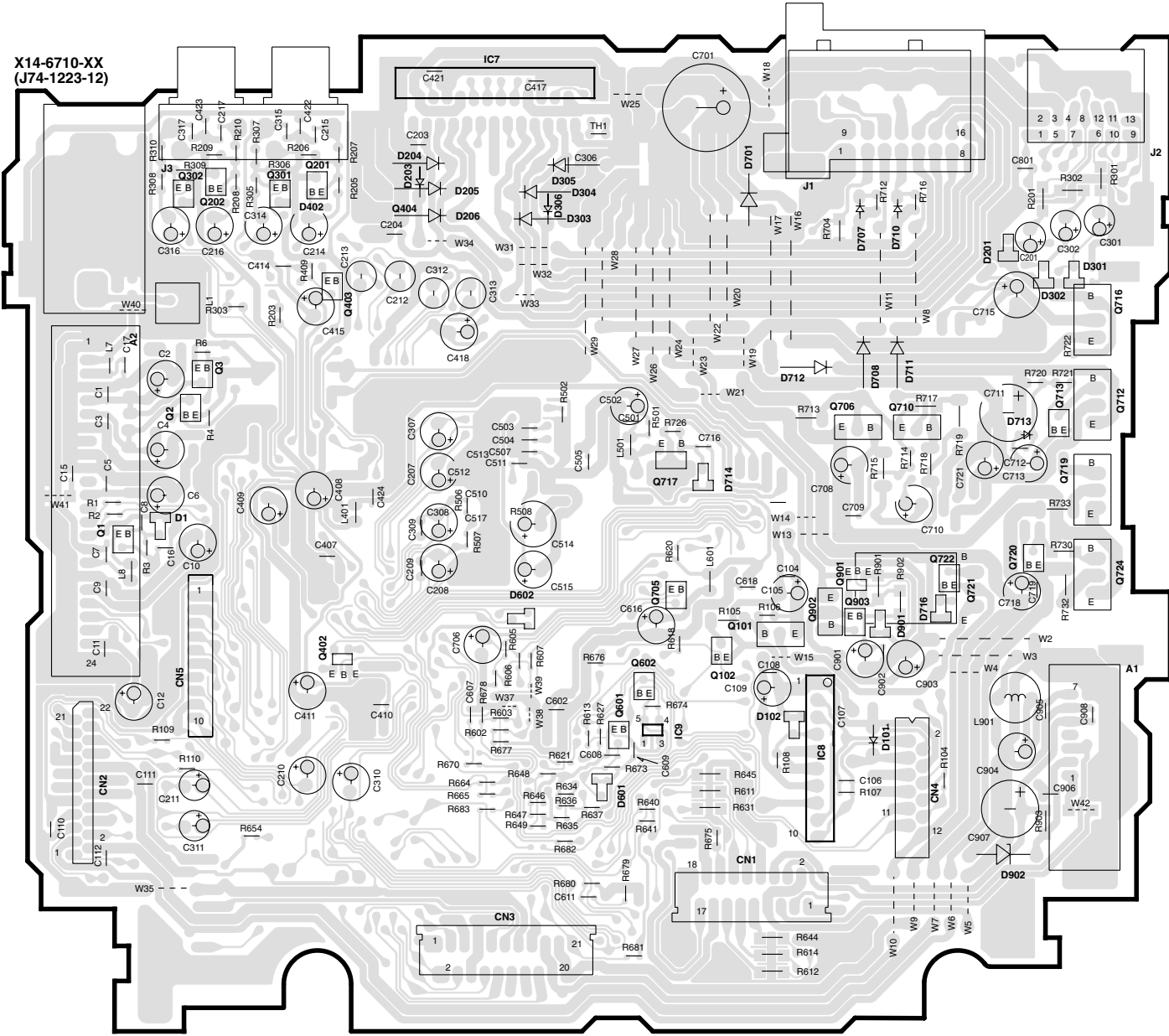


X14-6710-XX

IC	1	2	3	4	5	7	8	10	11
Q								4	101 401 404 405 407 701
address	4H	4I	4I	3H	2I	2H	4G	4H	3F 3J 4G 4I 4I 2J 4G 2H
Q	702	703	706	707	708	709	710	711	712 714 715 716 718 724 902
address	3H	2G	3G	3G	3G	3G	3G	3F	3G 3F 3F 3F 4F 4G

PC BOARD (FOIL SIDE VIEW)

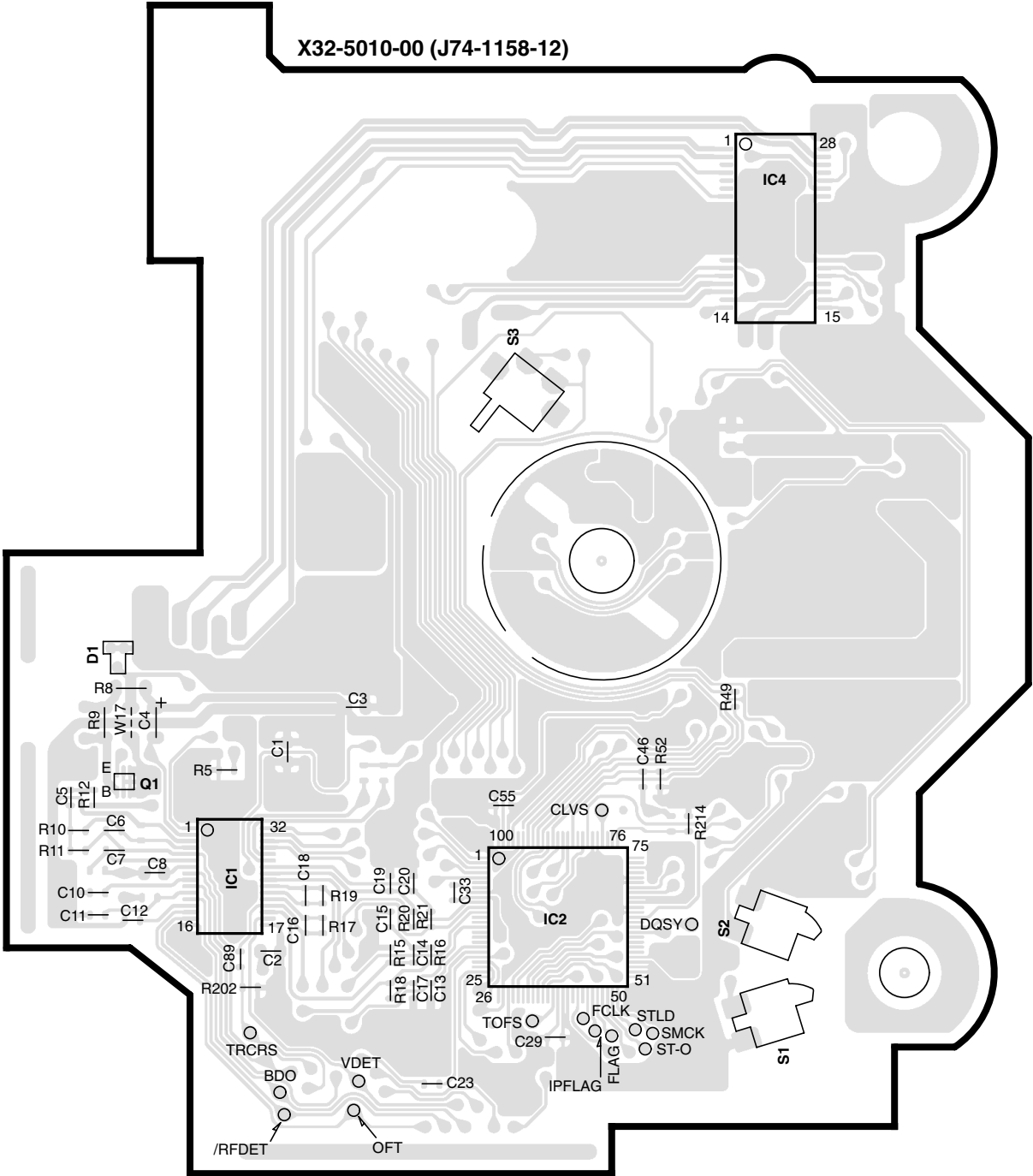
X14-6710-XX
(J74-1223-12)



X14-6710-XX

IC	7	8	9											
Q				1	2	3	101	102	202	302	402	601	602	
address	1M	4N	4M	3K	3K	3K	4N	4N	2L	2K	4L	2L	4M	4M
Q	705	706	710	712	713	716	717	719	720	721	724	901	902	903
address	4M	3N	3N	3O	3O	2O	3M	3O	3O	4N	4O	3N	4N	4N

PC BOARD (COMPONENT SIDE VIEW)

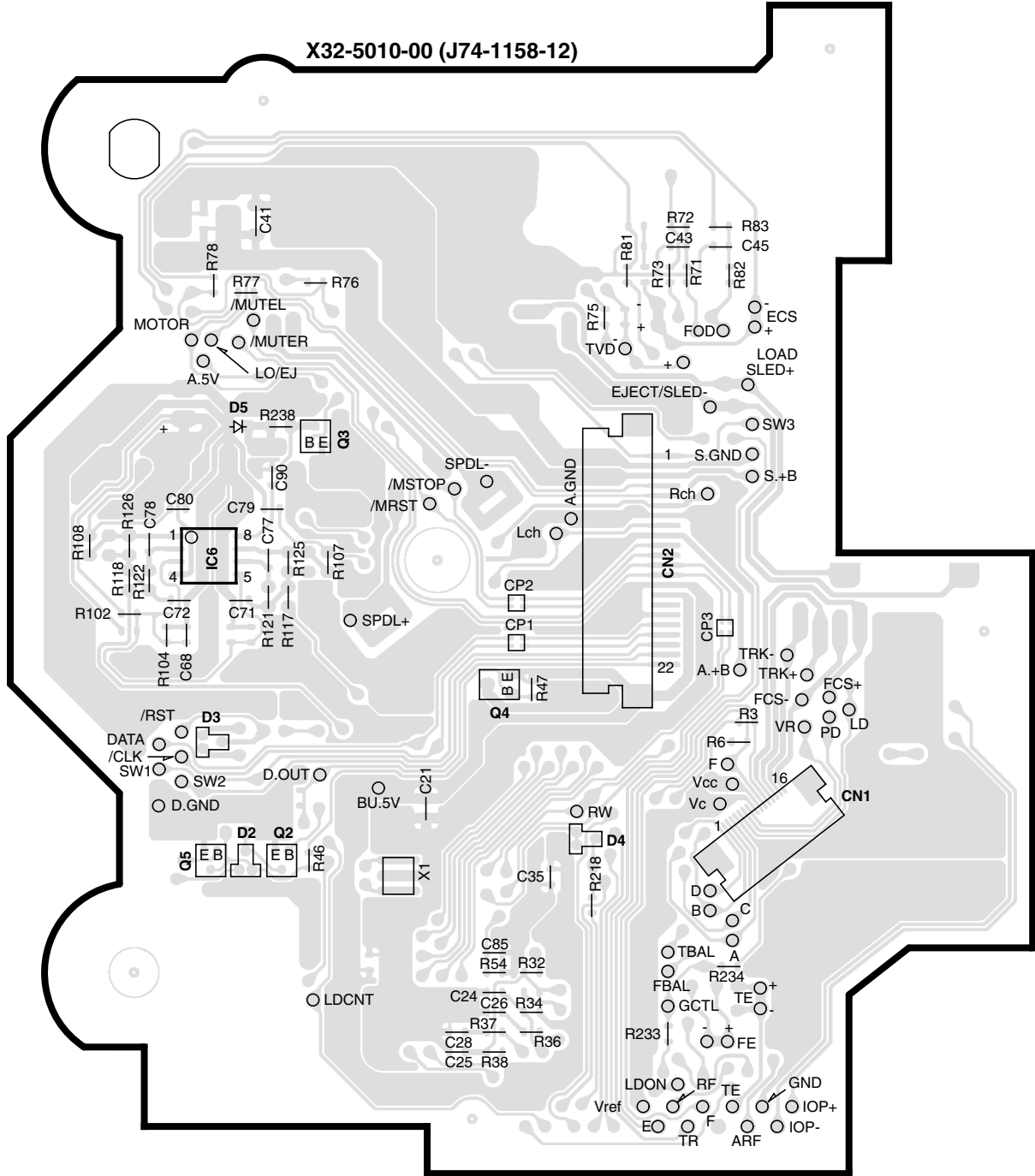


X32-5010-00

IC	1	2	4
Q			1
address	5Q	5R	2S 4Q

PC BOARD (FOIL SIDE VIEW)

X32-5010-00 (J74-1158-12)

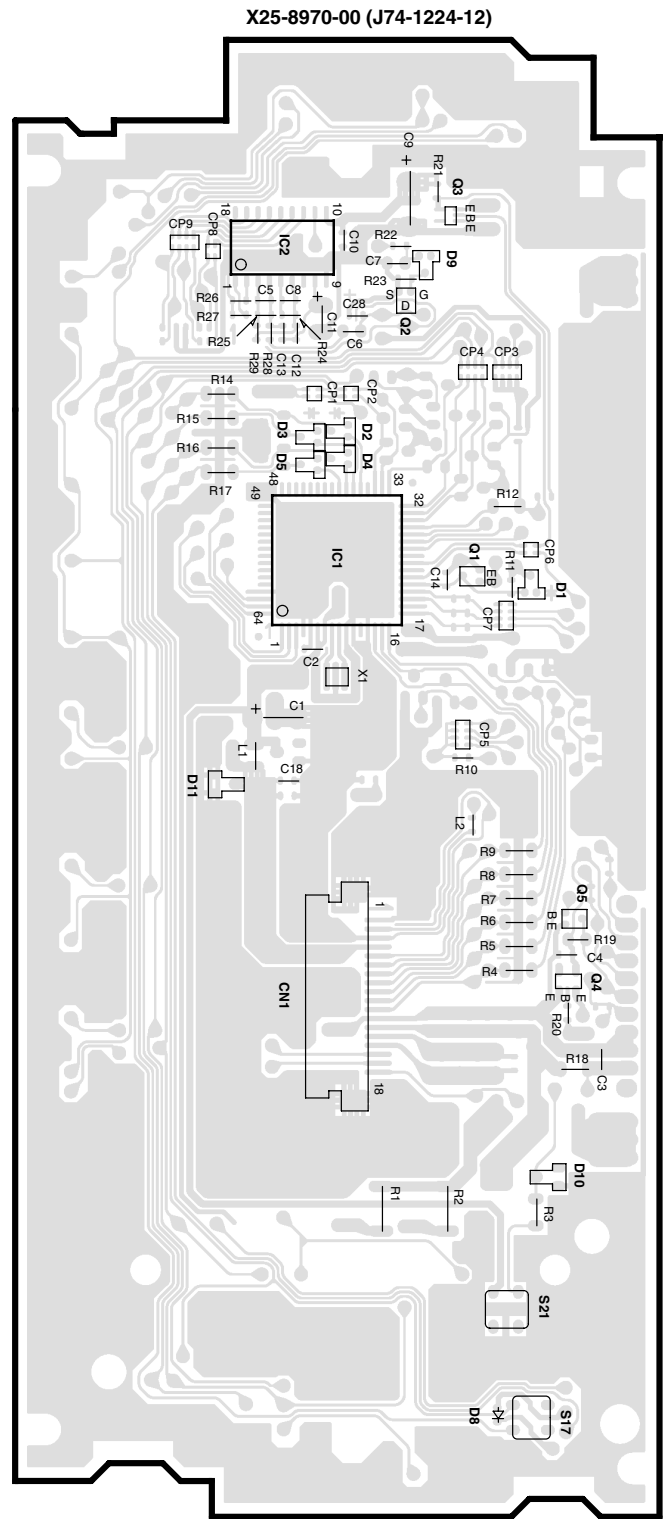
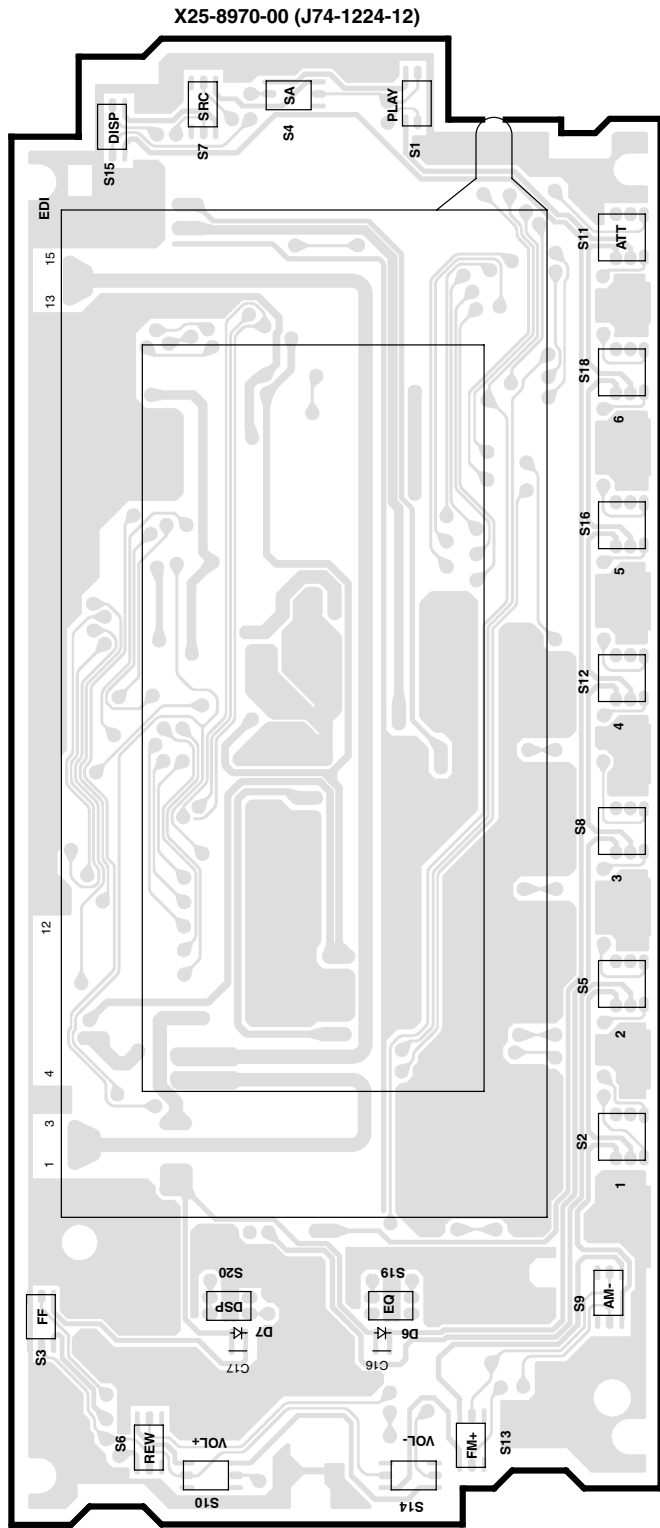


X32-5010-00

IC	6				
Q	2	3	4	5	
address	4V	5V	3V	4W	5V

PC BOARD (COMPONENT SIDE VIEW)

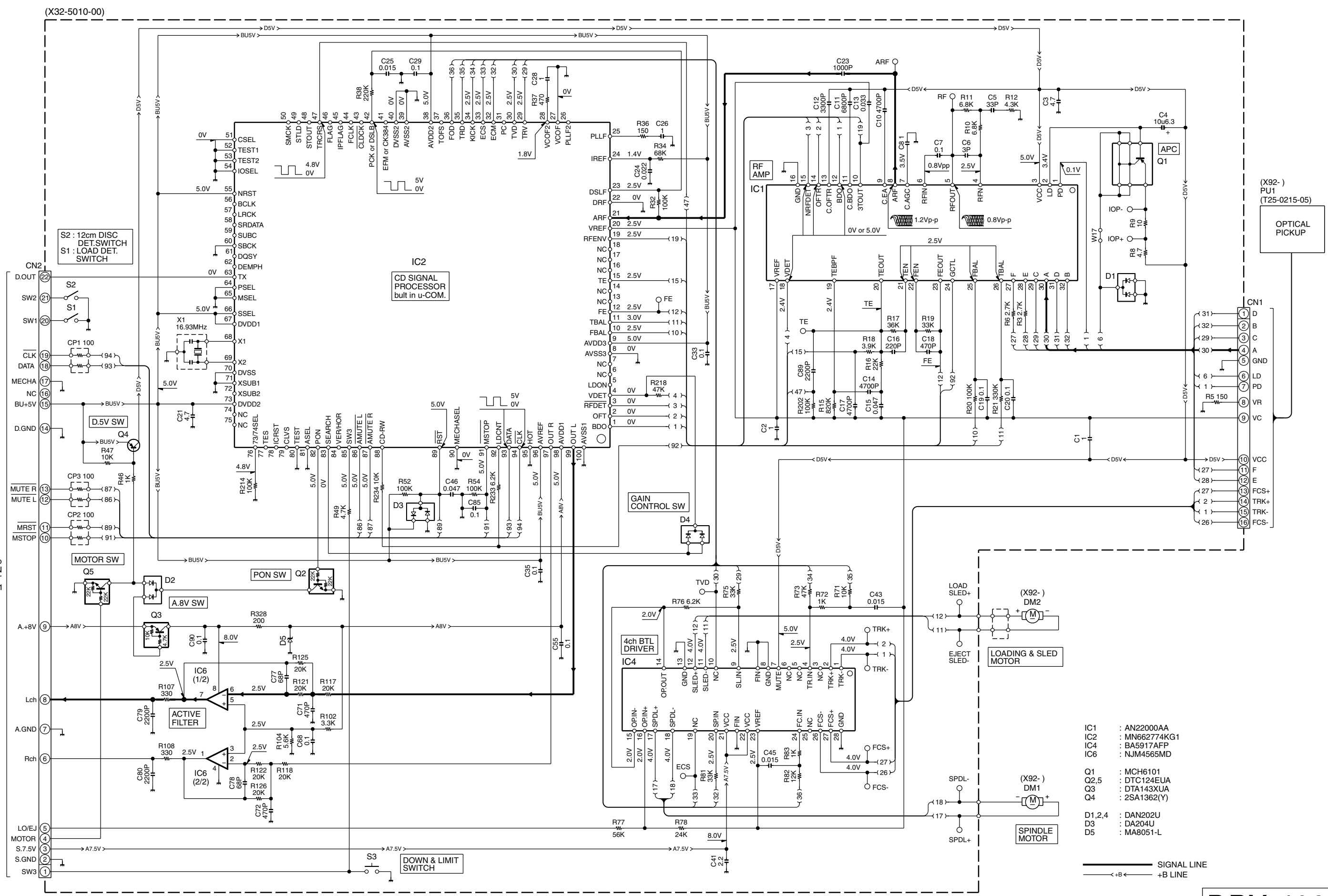
(FOIL SIDE VIEW)



X25-8970-00

IC	1	2				
Q		1	2	3	4	5
address	3AC	3AC	3AD	2AD	2AD	4AD

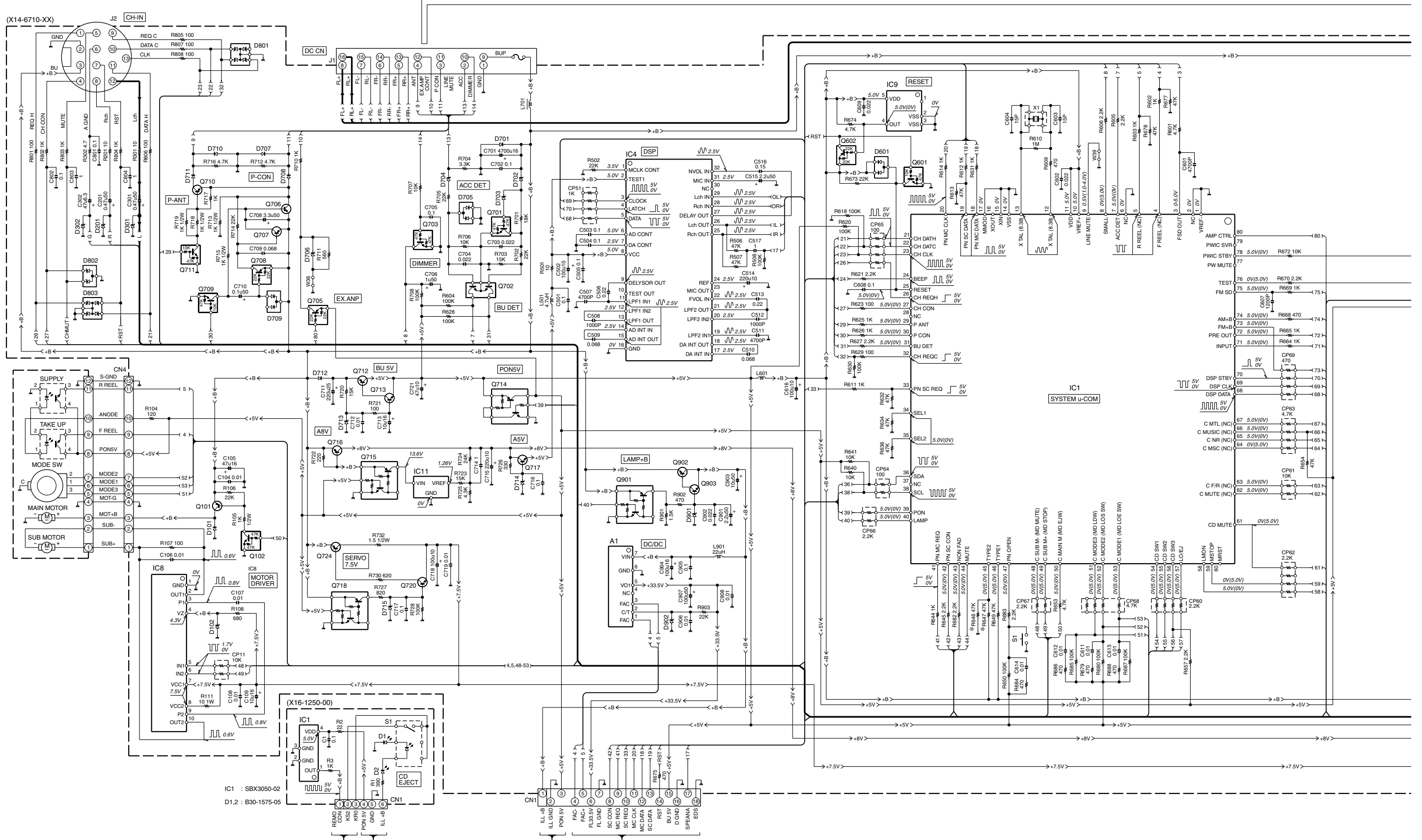
1
2
3
4
5
6
7



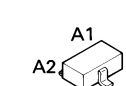
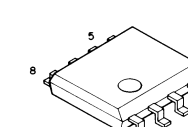
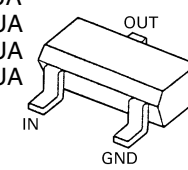
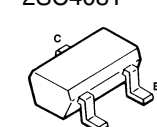
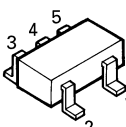
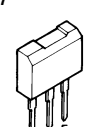
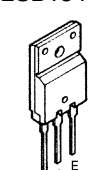
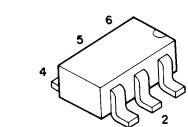
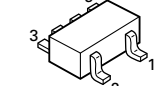
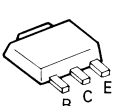
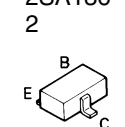
- IC1 : AN22000AA
 IC2 : MN662774KG1
 IC4 : BA5917AFP
 IC6 : NJM4565MD
 Q1 : MCH6101
 Q2,5 : DTC124EUA
 Q3 : DTA143XUA
 Q4 : 2SA1362(Y)
 D1,2,4 : DAN202U
 D3 : DA204U
 D5 : MA8051-L

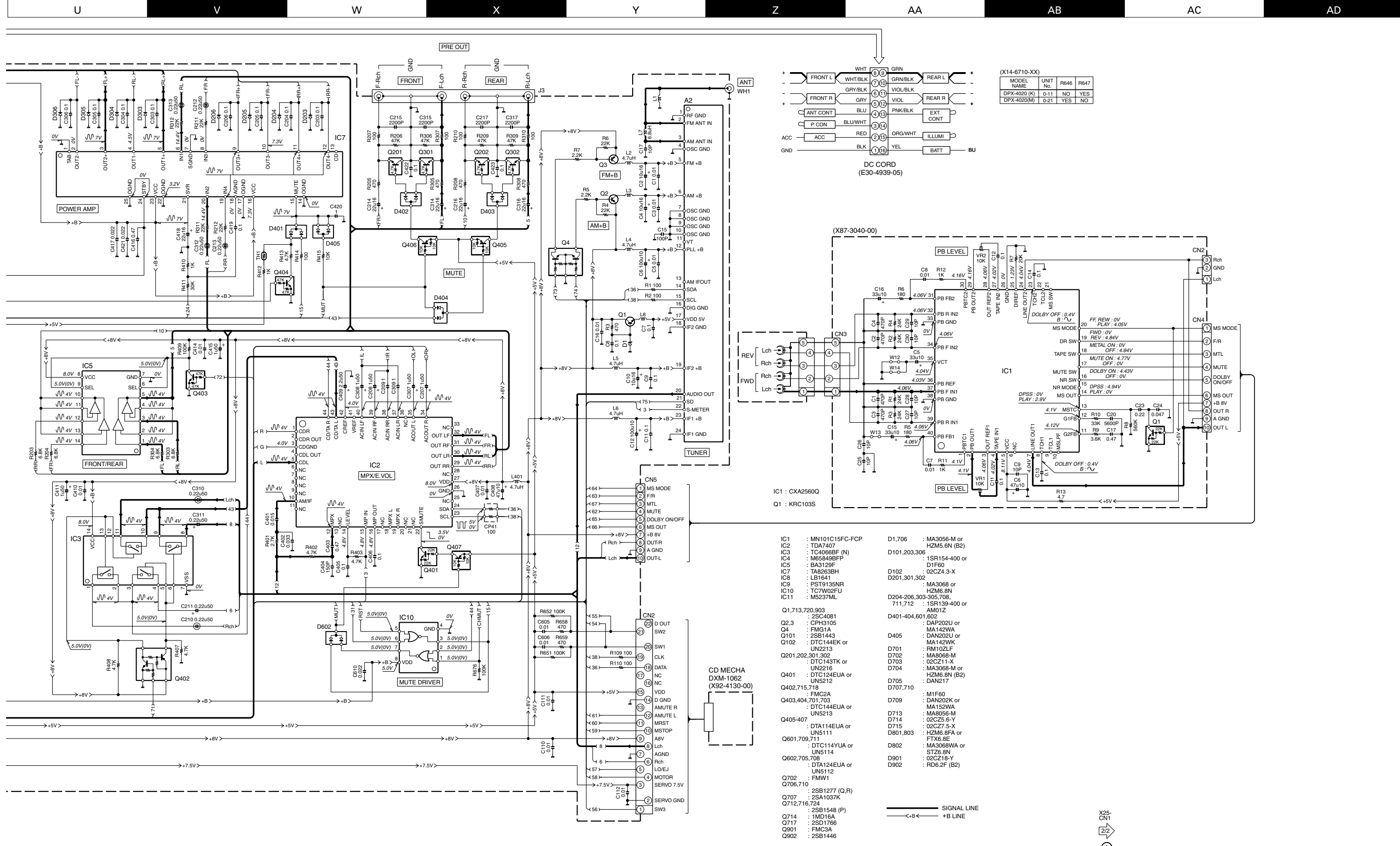
— SIGNAL LINE
 <-+B< — +B LINE

DPX-4020
KENWOOD

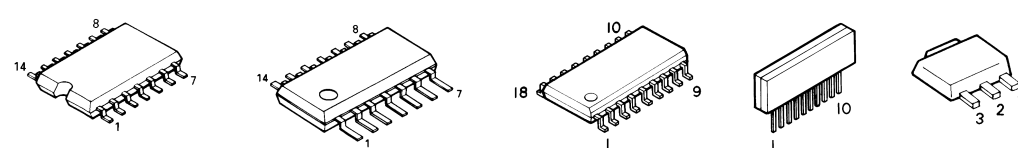


- | | | | | | | | | | | | | | | |
|-----------|--------|---------|------|--------|--------|--------|-------|----------|-----------|----------|---------|--------|--------|----------|
| DTC114YUA | UN5213 | 2SD1766 | FMW1 | IMD16A | 2SB154 | 2SB127 | FMG1A | 2SA1037K | DTA114EUA | NJM4565M | DAN202K | DAP202 | MA142W | 02CZ11-X |
| DTC124EK | 2SA136 | | | | | 7 | | 2SC4081 | DTA124EUA | | DAN202U | U | MA142W | 02CZ18-Y |
| DTC143TK | 2 | | | | | | | | DTC114EUA | | | | | 02CZ4.3- |
| DTC144EK | | | | | | | | | DTC124EUA | | | | | X |
| KRC103S | | | | | | | | | DTC144EUA | | | | | 02CZ7.5- |
| UN5111 | | | | | | | | | | | | | | |
| UN5114 | | | | | | | | | | | | | | |
| UN5211 | | | | | | | | | | | | | | |

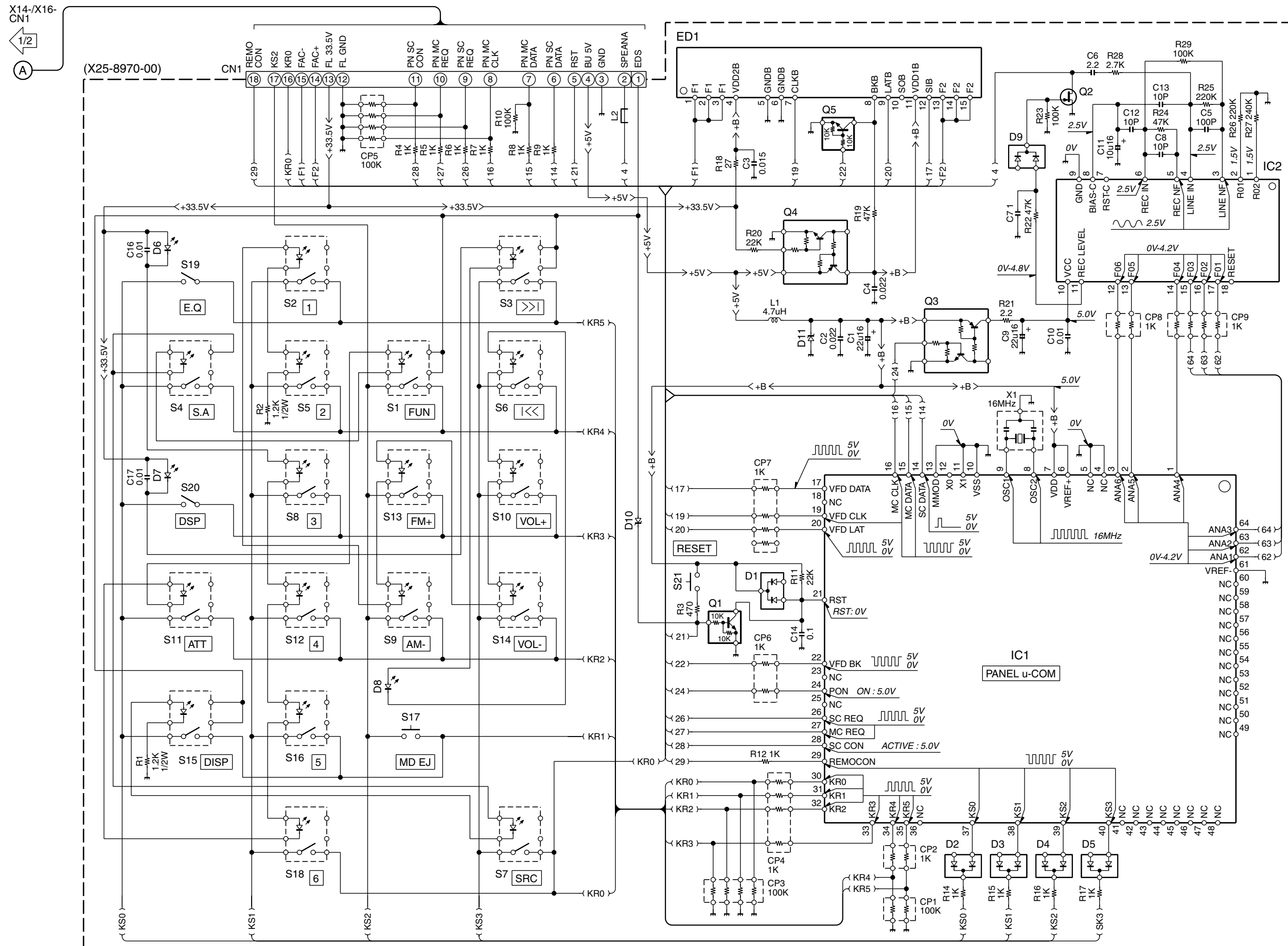




TC4066BF BA3129F BA3830F LB1641 M5237ML



CAUTION : For continued safety, replace safety critical components only with manufacturer's recommended parts (refer to parts list).
 ▲ Indicates safety critical components. To reduce the risk of electric shock, leakage-current or resistance measurements shall be carried out (exposed parts are acceptably insulated from the supply circuit) before the appliance is returned to the customer.
 • DC voltages are as measured with a high impedance voltmeter. Values may vary slightly due to variations between individual instruments or/and



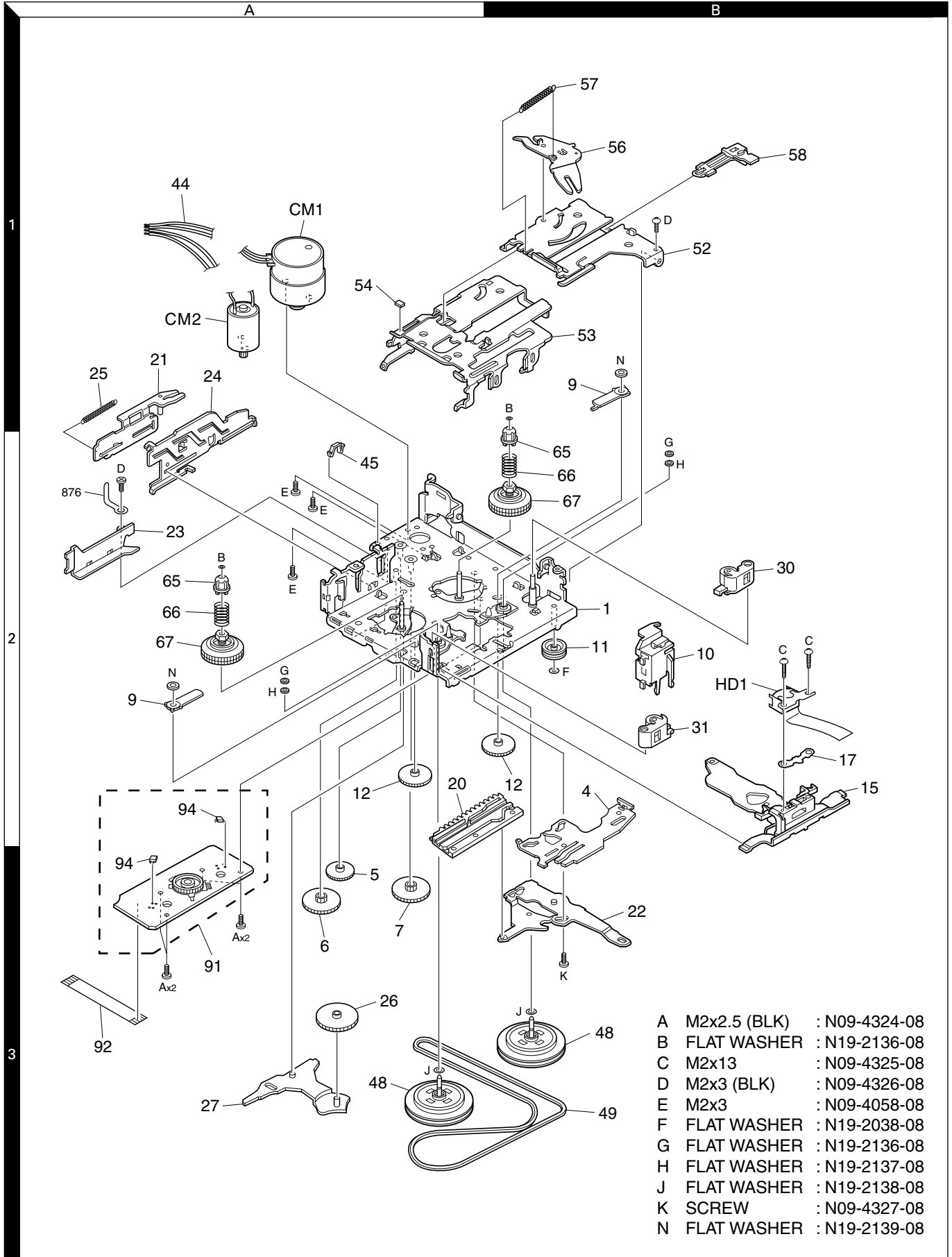
- IC1 : MN101C10AAL
- IC2 : BA3830F
- Q1,5 : DTC114EUA
- Q2 : 2SK3018
- Q3 : UMC3N
- Q4 : FMCA4
- D1-5,9 : DAN202K
- D6,7 : B30-1564-05
- D8 : B30-1575-05
- D10,11 : HZM5.6N(B2)

←+B← +B LINE

CAUTION: For continued safety, replace safety critical components only with manufacturer's recommended parts (refer to parts list).
 ⚠ Indicates safety critical components. To reduce the risk of electric shock, leakage-current or resistance measurements shall be carried out (exposed parts are acceptably insulated from the supply circuit) before the appliance is returned to the customer.
 • DC voltages are as measured with a high impedance voltmeter. Values may vary slightly due to variations between individual instruments or/and units.



EXPLODED VIEW (CASSETTE MECHANISM ASSY)



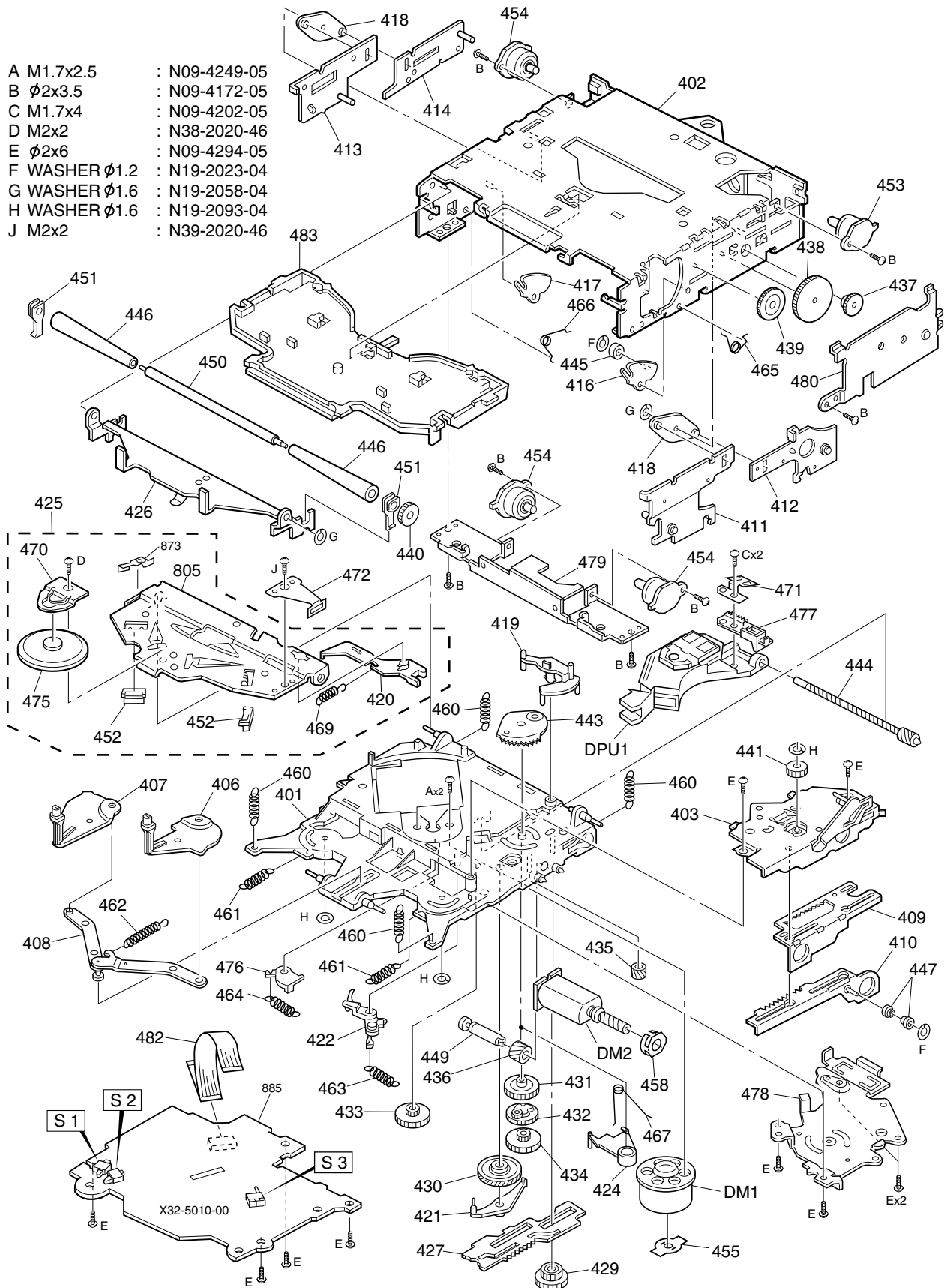
A	M2x2.5 (BLK)	: N09-4324-08
B	FLAT WASHER	: N19-2136-08
C	M2x13	: N09-4325-08
D	M2x3 (BLK)	: N09-4326-08
E	M2x3	: N09-4058-08
F	FLAT WASHER	: N19-2038-08
G	FLAT WASHER	: N19-2136-08
H	FLAT WASHER	: N19-2137-08
J	FLAT WASHER	: N19-2138-08
K	SCREW	: N09-4327-08
N	FLAT WASHER	: N19-2139-08

Parts with the exploded numbers larger than 700 are not supplied.

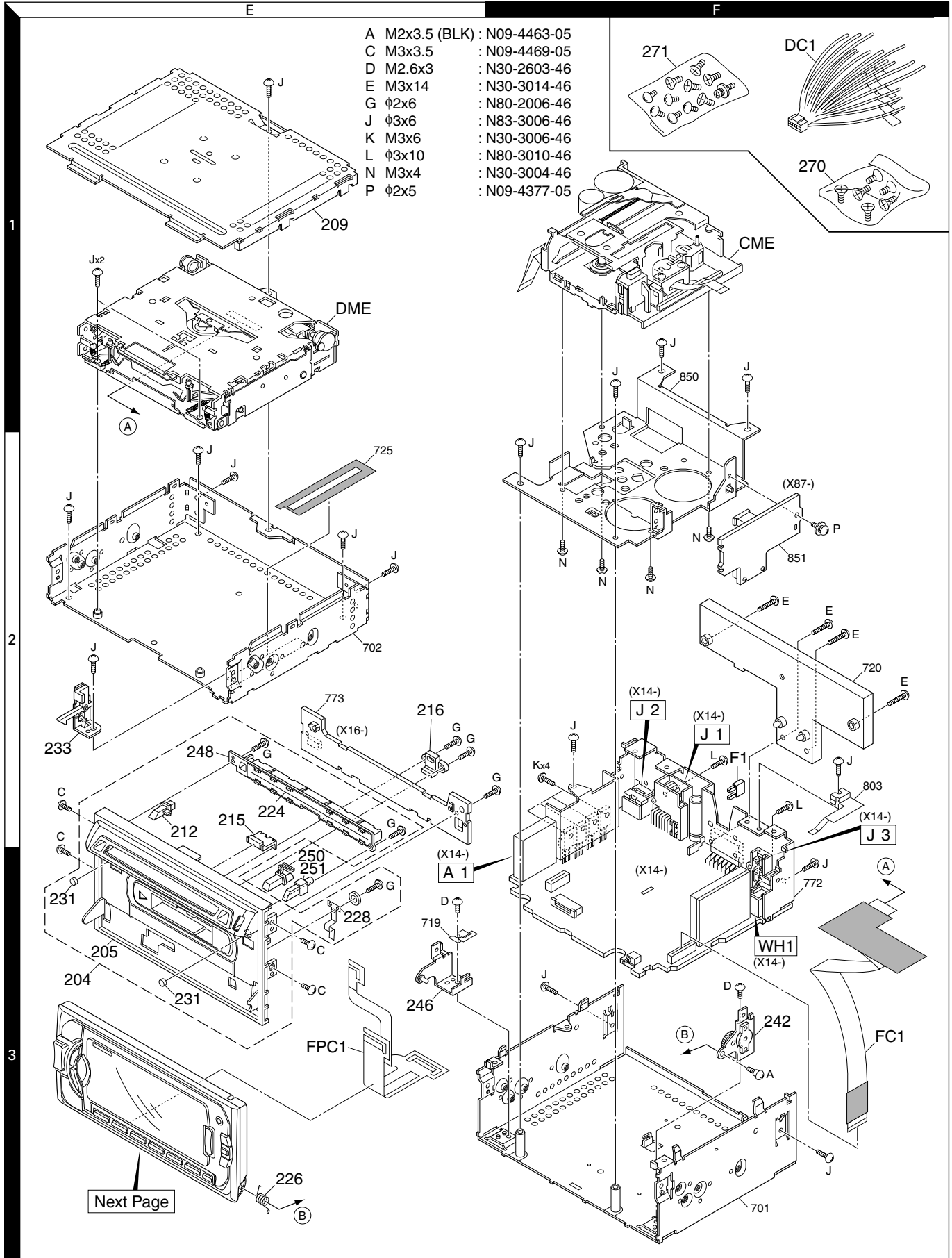
DPX-4020

EXPLODED VIEW (CD MECHANISM ASSY)

- | | | | |
|---|-------------|---|-------------|
| A | M1.7x2.5 | : | N09-4249-05 |
| B | ∅2x3.5 | : | N09-4172-05 |
| C | M1.7x4 | : | N09-4202-05 |
| D | M2x2 | : | N38-2020-46 |
| E | ∅2x6 | : | N09-4294-05 |
| F | WASHER ∅1.2 | : | N19-2023-04 |
| G | WASHER ∅1.6 | : | N19-2058-04 |
| H | WASHER ∅1.6 | : | N19-2093-04 |
| J | M2x2 | : | N39-2020-46 |



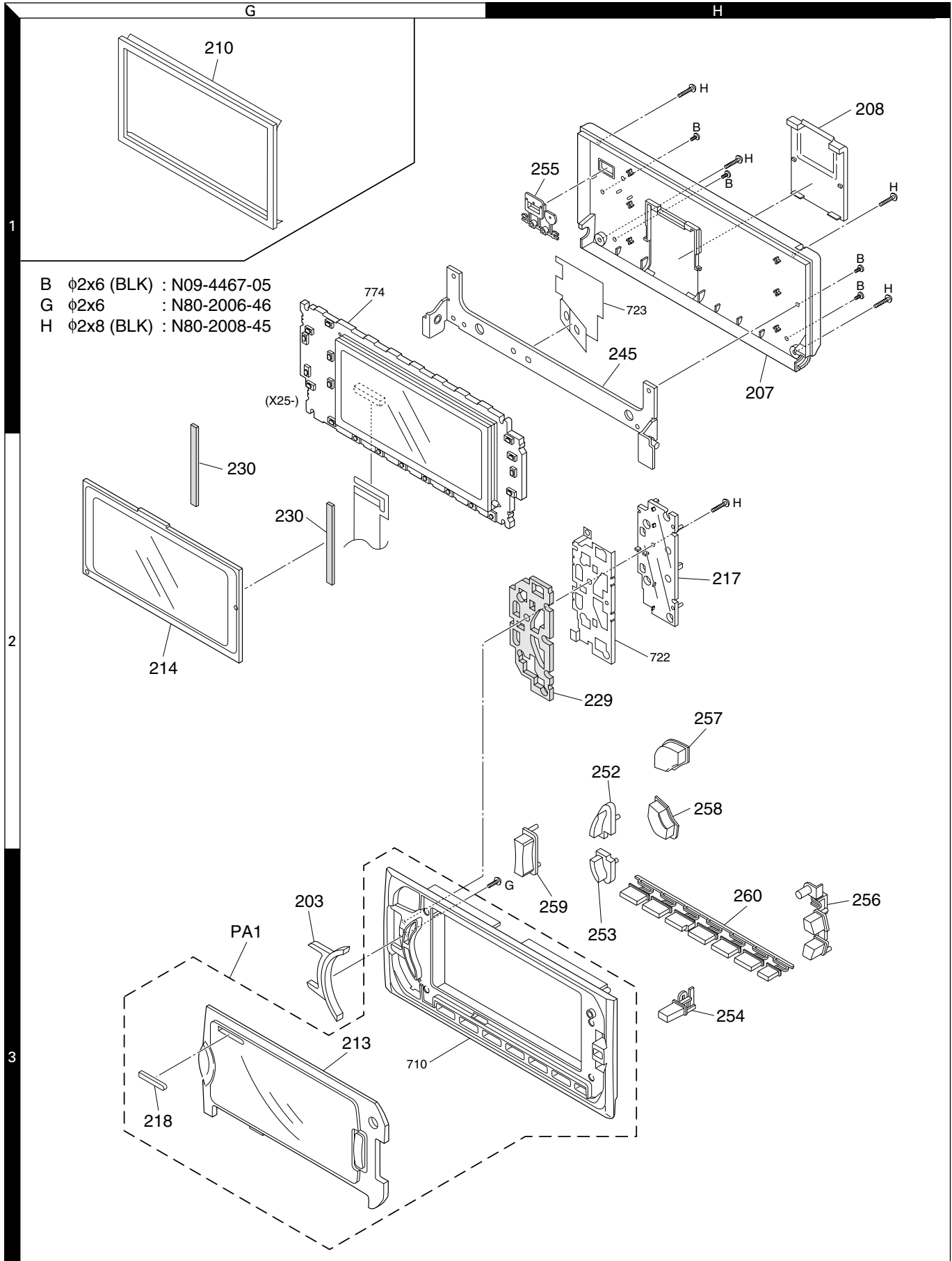
EXPLODED VIEW (UNIT)



Parts with the exploded numbers larger than 700 are not supplied.

DPX-4020

EXPLODED VIEW (DISPLAY)



PARTS LIST

* New Parts

Parts without **Parts No.** are not supplied.

Les articles non mentionnes dans le **Parts No.** ne sont pas fournis.

Teile ohne **Parts No.** werden nicht geliefert.

Ref. No.	A d d	N e w	Parts No.	Description	Dest inati on
DPX-4020					
203	3G	*	A21-4102-02	DRESSING PANEL	
204	3E		A22-2899-02	SUB PANEL ASSY	K1
204	3E	*	A22-2900-02	SUB PANEL ASSY	M1
205	3E	*	A22-2903-01	SUB PANEL	K1
205	3E	*	A22-2904-01	SUB PANEL	M1
207	1H		A46-1720-01	REAR COVER	M1
207	1H	*	A46-1721-01	REAR COVER	K1
208	1H		A46-1724-03	REAR COVER	M1
208	1H	*	A46-1725-03	REAR COVER	K1
209	1E		A52-0791-02	TOP PLATE	
PA1	3G	*	A64-2383-02	PANEL ASSY	K1
PA1	3G	*	A64-2384-02	PANEL ASSY	M1
RM1	1G		A70-0894-05	REMOTE CONTROLLER ASSY	
210	1G	*	B07-3046-04	ESCUTCHEON ASSY	
210	1G	*	B07-3047-04	ESCUTCHEON ASSY	K1
212	2E		B10-4060-03	FRONT GLASS	
213	3G	*	B10-4063-01	FRONT GLASS	K1
213	3G	*	B10-4064-01	FRONT GLASS	M1
214	2G		B10-4065-03	FRONT GLASS	
215	2E		B19-2089-03	LIGHTING BOARD	
216	2E		B19-2090-03	LIGHTING BOARD	
217	2H		B19-2091-03	LIGHTING BOARD	
218	3G		B43-1284-04	BADGE	
-			B46-0100-50	WARRANTY CARD	
-		*	B64-1941-00	INSTRUCTION MANUAL EFSP	K1
-		*	B64-1942-00	INSTRUCTION MANUAL ET	M1
-		*	B64-1943-00	INSTRUCTION MANUAL K	M1
-		*	B64-2037-00	INSTRUCTION MANUAL A	M1
△ DC1	1F		E30-4939-05	DC CORD	
FC1	3F		E39-0413-05	FLAT CABLE	
224	2E		F19-1378-03	BLIND PLATE	
△ F1	2F		F52-0011-05	FUSE(MINI BLADE TYPE)	
226	3E		G01-3082-04	TORSION COIL SPRING	
228	3E		G02-1409-04	FLAT SPRING	
229	2H		G11-1941-03	CUSHION	
230	2G		G11-1944-04	CUSHION	
231	3E		G13-1251-04	CUSHION	
-			H10-4778-02	POLYSTYRENE FOAMED FIXTURE	
-			H11-1525-04	POLYSTYRENE FOAMED BOARD	
-			H12-2694-03	PACKING FIXTURE	
-			H13-2009-04	CARTON BOARD	
-			H25-0334-04	PROTECTION BAG (125X250X0.03)	K1
-			H25-0337-04	PROTECTION BAG (180X300X0.03)	
-			H25-1164-04	PROTECTION BAG (0.5X350X480)	
-			H25-1170-04	PROTECTION BAG	
-		*	H54-2092-03	ITEM CARTON CASE	K1
-		*	H54-2093-03	ITEM CARTON CASE	M1
233	2E		J19-5076-04	BRACKET ASSY	
235	1G	*	J19-5121-04	BRACKET ASSY	K1
242	3F		J21-9727-04	MOUNTING HARDWARE ASSY	
245	1H		J21-9731-03	MOUNTING HARDWARE ASSY	
246	3E		J21-9756-04	MOUNTING HARDWARE ASSY	

Ref. No.	A d d	N e w	Parts No.	Description	Dest inati on
248	2E		J90-1011-02	GUIDE	
FPC1	3E		J84-0131-05	FLEXIBLE PRINTED WIRING BOARD	
250	2E		K24-3716-03	KNOB CD EJ	M1
250	2E	*	K24-3717-03	KNOB CD EJ	K1
251	2E	*	K24-3721-03	KNOB OPEN	K1
251	2E	*	K24-3722-03	KNOB OPEN	M1
252	3H		K24-3724-03	KNOB DSP	
253	3H		K24-3726-03	KNOB EQ	
254	3H		K24-3728-03	KNOB SA	
255	1H		K25-1288-03	KNOB C EJ	
256	3H	*	K25-1290-02	KNOB SRC	M1
256	3H	*	K25-1291-02	KNOB SRC	K1
257	2H		K25-1294-02	KNOB SEEK	
258	3H		K25-1298-02	KNOB FM	
259	3H		K25-1302-03	KNOB VOL	
260	3H		K25-1306-02	KNOB 1-6	M1
260	3H	*	K25-1308-02	KNOB 1-6	K1
270	1F		N99-1711-05	SCREW SET	K1
271	1F		N99-1701-05	SCREW SET	M1
A	3F		N09-4463-05	MACHINE SCREW	
B	1H		N09-4467-05	MACHINE SCREW	
C	3F		N09-4469-05	MACHINE SCREW (M2.6X3.5)	
D	3E		N30-2603-46	PAN HEAD MACHINE SCREW	
E	2F		N30-3014-46	PAN HEAD MACHINE SCREW	
G	2E		N80-2006-46	PAN HEAD TAPTITE SCREW	
H	1H		N80-2008-45	PAN HEAD TAPTITE SCREW	
J	2E		N83-3006-46	PAN HEAD TAPTITE SCREW	
CME	1F		D40-1167-05	MECHANISM ASSY	
DME	1E		X92-4130-00	MECHANISM ASSY	
SYNTHESIZER UNIT (X14-6710-XX)					
C1			CK73GB1H103K	CHIP C 0.010UF	K
C2			CE04DW1C100M	ELECTRO 10UF	16WV
C3			CK73GB1H103K	CHIP C 0.010UF	K
C4			CE04DW1C100M	ELECTRO 10UF	16WV
C5			CK73GB1H103K	CHIP C 0.010UF	K
C6			CE04DW1A101M	ELECTRO 100UF	10WV
C7 -9			CK73GB1C104K	CHIP C 0.10UF	K
C10			CE04DW1C100M	ELECTRO 10UF	16WV
C11			CK73GB1C104K	CHIP C 0.10UF	K
C12			CE04DW1A101M	ELECTRO 100UF	10WV
C15			CC73GCH1H101J	CHIP C 100PF	J
C16			CK73GB1H103K	CHIP C 0.010UF	K
C17			CC73GCH1H100D	CHIP C 10PF	D
C104			CK73GB1H103K	CHIP C 0.010UF	K
C105			CE04DW1C470M	ELECTRO 47UF	16WV
C106-108			CK73GB1H103K	CHIP C 0.010UF	K
C109			CE04DW1C100M	ELECTRO 10UF	16WV
C110-112			CK73GB1H103K	CHIP C 0.010UF	K
C201			CE04NW1HR47M	ELECTRO 0.47UF	50WV
C203-206			CK73FB1H104K	CHIP C 0.10UF	K
C207,208			CE04DW1H010M	ELECTRO 1.0UF	50WV
C209			CK73FB1C105K	CHIP C 1.0UF	K
C210			CE04DW1HR22M	ELECTRO 0.22UF	50WV
C211		*	CE04NW1HR22MEL	ELECTRO 0.22UF	50W

DPX-4020

PARTS LIST

* New Parts

Parts without **Parts No.** are not supplied.

Les articles non mentionnes dans le **Parts No.** ne sont pas fournis.

Teile ohne **Parts No.** werden nicht geliefert.

SYNTHESIZER UNIT (X14-6710-XX)

Ref. No.	A d d	N e w	Parts No.	Description	Dest ination
C212,213			C90-5297-05	NP-ELECT 0.22UF 50WV	
C214			CE04DW1C220M	ELECTRO 22UF 16WV	
C215			CK73GB1H222K	CHIP C 2200PF K	
C216			CE04DW1C220M	ELECTRO 22UF 16WV	
C217			CK73GB1H222K	CHIP C 2200PF K	
C301			CE04NW1HR47M	ELECTRO 0.47UF 50WV	
C302			CE04NW0J470M	ELECTRO 47UF 6.3WV	
C303-306			CK73FB1H104K	CHIP C 0.10UF K	
C307,308			CE04DW1H010M	ELECTRO 1.0UF 50WV	
C309			CK73FB1C105K	CHIP C 1.0UF K	
C310			CE04DW1HR22M	ELECTRO 0.22UF 50WV	
C311		*	CE04NW1HR22MEL	ELECTRO 0.22UF 50WV	
C312,313			C90-5297-05	NP-ELECT 0.22UF 50WV	
C314			CE04DW1C220M	ELECTRO 22UF 16WV	
C315			CK73GB1H222K	CHIP C 2200PF K	
C316			CE04DW1C220M	ELECTRO 22UF 16WV	
C317			CK73GB1H222K	CHIP C 2200PF K	
C401			CK73GB1H153K	CHIP C 0.015UF K	
C402			CK73GB1E333K	CHIP C 0.033UF K	
C403			CK73FB1C474K	CHIP C 0.47UF K	
C404			CC73GCH1H151J	CHIP C 150PF J	
C405,406			CK73GB1C104K	CHIP C 0.10UF K	
C407			CK73GB1H103K	CHIP C 0.010UF K	
C408			CE04DW1A470M	ELECTRO 47UF 10WV	
C409			CE04DW1H2R2M	ELECTRO 2.2UF 50WV	
C410			CK73GB1H103K	CHIP C 0.010UF K	
C411			CE04DW1H010M	ELECTRO 1.0UF 50WV	
C414			CK73GB1H103K	CHIP C 0.010UF K	
C415			CE04DW1H010M	ELECTRO 1.0UF 50WV	
C416			CK73GB1A474K	CHIP C 0.47UF K	
C417			CK73GB1E223K	CHIP C 0.022UF K	
C418			C90-2680-05	ELECTRO 22UF 16WV	
C419			CK73GB1C104K	CHIP C 0.10UF K	
C420			CK73EB1E105K	CHIP C 1.0UF K	
C421			CK73GB1E223K	CHIP C 0.022UF K	
C422,423			CK73FB1H104K	CHIP C 0.10UF K	
C501			CK73GB1C104K	CHIP C 0.10UF K	
C502			CE04DW1A101M	ELECTRO 100UF 10WV	
C503-505			CK73GB1C104K	CHIP C 0.10UF K	
C506			CK73GB1A224K	CHIP C 0.22UF K	
C507			CK73GB1H472K	CHIP C 4700PF K	
C508			CK73GB1H102K	CHIP C 1000PF K	
C509,510			CK73GB1C683K	CHIP C 0.068UF K	
C511			CK73GB1H472K	CHIP C 4700PF K	
C512			CK73GB1H102K	CHIP C 1000PF K	
C513			CK73GB1A224K	CHIP C 0.22UF K	
C514			CE04DW1A221M	ELECTRO 220UF 10WV	
C515			CE04DW1H2R2M	ELECTRO 2.2UF 50WV	
C516			CK73GB1A154K	CHIP C 0.15UF K	
C517			CK73GB0J105K	CHIP C 1.0UF K	
C601			CK73GB1H472K	CHIP C 4700PF K	
C602			CK73GB1E223K	CHIP C 0.022UF K	
C603,604			CC73GCH1H150J	CHIP C 15PF J	
C605,606			CK73GB1H103K	CHIP C 0.010UF K	
C607			CK73GB1H122K	CHIP C 1200PF K	

Ref. No.	A d d	N e w	Parts No.	Description	Dest ination
C608			CK73GB1C104K	CHIP C 0.10UF K	
C609,610			CK73GB1E223K	CHIP C 0.022UF K	
C611-614			CK73GB1H103K	CHIP C 0.010UF K	
C616			CE04DW1A101M	ELECTRO 100UF 10WV	
C701			C90-2855-05	ELECTRO 4700UF 16WV	
C702			CK73GB1C104K	CHIP C 0.10UF K	
C703,704			CK73GB1H223K	CHIP C 0.022UF K	
C705			CK73FB1H104K	CHIP C 0.10UF K	
C706			CE04DW1H010M	ELECTRO 1.0UF 50WV	
C708			CE04DW1H3R3M	ELECTRO 3.3UF 50WV	
C709			CK73GB1C683K	CHIP C 0.068UF K	
C710			CE04DW1H0R1M	ELECTRO 0.1UF 50WV	
C711			C90-2694-05	ALMINIUM ELECTROLYTIC C.	
C712			CK73GB1H103K	CHIP C 0.010UF K	
C713			C90-2759-05	ELECTRO 10UF 16WV	
C714			CK73FB1C105K	CHIP C 1.0UF K	
C715			C90-2673-05	ELECTRO 220UF 10WV	
C716,717			CK73GB1C104K	CHIP C 0.10UF K	
C718			C90-2672-05	ELECTRO 100UF 10WV	
C719			CK73GB1H103K	CHIP C 0.010UF K	
C721			CE04DW1A470M	ELECTRO 47UF 10WV	
C801,802			CK73FB1H104K	CHIP C 0.10UF K	
C803,804			CK73EB1E105K	CHIP C 1.0UF K	
C901			CE04DW1H2R2M	ELECTRO 2.2UF 50WV	
C902			CK73GB1H223K	CHIP C 0.022UF K	
C903			C90-2986-05	ELECTRO 10UF 50WV	
C904			C90-2982-05	ELECTRO 100UF 16WV	
C905			CK73GB1C104K	CHIP C 0.10UF K	
C906			CK73GB1H103K	CHIP C 0.010UF K	
C907			C90-2979-05	ELECTRO 100UF 50WV	
C908			CK73GB1H103K	CHIP C 0.010UF K	
CN1			E41-0139-05	FLAT CABLE CONNECTOR	
CN2			E40-9735-15	FLAT CABLE CONNECTOR	
CN4			E40-5036-05	FLAT CABLE CONNECTOR	
CN5			E40-5451-05	PIN ASSY	
△ J1			E58-0863-15	RECTANGULAR RECEPTACLE	
J2			E56-0834-05	CYLINDRICAL RECEPTACLE	
J3			E63-0853-05	PIN JACK	
WH1			E04-0312-05	RF COAXIAL CABLE RECEPTACLE	
L1			L33-1123-05	LINE FILTER COIL	
L2 -6			L40-4795-34	SMALL FIXED INDUCTOR	
L2 -6			L40-4795-68	SMALL FIXED INDUCTOR(4.7UH)	
L7			L33-1816-05	SMALL FIXED INDUCTOR	
L8			L40-4795-34	SMALL FIXED INDUCTOR	
L8			L40-4795-68	SMALL FIXED INDUCTOR(4.7UH)	
L401			L40-4795-34	SMALL FIXED INDUCTOR	
L401			L40-4795-68	SMALL FIXED INDUCTOR(4.7UH)	
L501			L40-4795-34	SMALL FIXED INDUCTOR	
L501			L40-4795-68	SMALL FIXED INDUCTOR(4.7UH)	
L601			L40-4795-34	SMALL FIXED INDUCTOR	
L601			L40-4795-68	SMALL FIXED INDUCTOR(4.7UH)	
L701			L33-1170-05	CHOKE COIL ASSY	
L901			L33-1029-05	SMALL FIXED INDUCTOR	
X1			L77-2788-05	CRYSTAL RESONATOR	

PARTS LIST

* New Parts

Parts without **Parts No.** are not supplied.

Les articles non mentionnes dans le **Parts No.** ne sont pas fournis.

Teile ohne **Parts No.** werden nicht geliefert.

SYNTHESIZER UNIT (X14-6710-XX)

Ref. No.	A d d	N e w	Parts No.	Description	Dest inati on	Ref. No.	A d d	N e w	Parts No.	Description	Dest inati on
CP11			R90-0726-05	MULTI-COMP 10K X2		R502			RK73GB1J223J	CHIP R 22K J 1/16W	
CP41			R90-1019-05	MULTI-COMP 100 X2		R506,507			RK73GB1J473J	CHIP R 47K J 1/16W	
CP51			R90-0724-05	MULTI-COMP 1K X4		R508			RK73GB1J104J	CHIP R 100K J 1/16W	
CP60			R90-0722-05	MULTI-COMP 2.2K X4		R601			RK73GB1J472J	CHIP R 4.7K J 1/16W	
CP61			R90-0726-05	MULTI-COMP 10K X2		R602,603			RK73GB1J102J	CHIP R 1.0K J 1/16W	
CP62			R90-0722-05	MULTI-COMP 2.2K X4		R604			RK73GB1J104J	CHIP R 100K J 1/16W	
CP63			R90-0718-05	MULTI-COMP 4.7K X4		R605,606			RK73GB1J222J	CHIP R 2.2K J 1/16W	
CP64			R90-1019-05	MULTI-COMP 100 X2		R609			RK73GB1J471J	CHIP R 470 J 1/16W	
CP65			R90-1014-05	MULTI-COMP 100 X4		R610			RK73GB1J105J	CHIP R 1.0M J 1/16W	
CP66,67			R90-1013-05	MULTI-COMP 2.2K X2		R611,612			RK73EB2B102J	CHIP R 1.0K J 1/8W	
CP68			R90-0718-05	MULTI-COMP 4.7K X4		R613			RK73GB1J473J	CHIP R 47K J 1/16W	
CP69			R90-1016-05	MULTI-COMP 470 X4		R614			RK73EB2B102J	CHIP R 1.0K J 1/8W	
R1_2			RK73GB1J101J	CHIP R 100 J 1/16W		R618			RK73GB1J104J	CHIP R 100K J 1/16W	
R3			RK73GB1J471J	CHIP R 470 J 1/16W		R620			RK73GB1J104J	CHIP R 100K J 1/16W	
R4			RK73GB1J223J	CHIP R 22K J 1/16W		R621			RK73GB1J222J	CHIP R 2.2K J 1/16W	
R5			RK73FB2A222J	CHIP R 2.2K J 1/10W		R623			RK73GB1J101J	CHIP R 100 J 1/16W	
R6			RK73GB1J223J	CHIP R 22K J 1/16W		R625,626			RK73GB1J102J	CHIP R 1.0K J 1/16W	
R7			RK73FB2A222J	CHIP R 2.2K J 1/10W		R627			RK73GB1J222J	CHIP R 2.2K J 1/16W	
R104			RK73GB1J121J	CHIP R 120 J 1/16W		R628			RK73GB1J104J	CHIP R 100K J 1/16W	
R105			R92-0365-05	CHIP R 1.0K J 1/2W		R629			RK73GB1J101J	CHIP R 100 J 1/16W	
R106			RK73FB2A223J	CHIP R 22K J 1/10W		R630			RK73GB1J104J	CHIP R 100K J 1/16W	
R107			RK73GB1J101J	CHIP R 100 J 1/16W		R631			RK73EB2B102J	CHIP R 1.0K J 1/8W	
R108			RK73FB2A681J	CHIP R 680 J 1/10W		R632			RK73GB1J473J	CHIP R 47K J 1/16W	
R109,110			RK73GB1J101J	CHIP R 100 J 1/16W		R634			RK73GB1J473J	CHIP R 47K J 1/16W	
R111			RS14KB3A100J	FL-PROOF RS10 J 1W		R636			RK73GB1J473J	CHIP R 47K J 1/16W	
R201			RK73EB2B100J	CHIP R 10 J 1/8W		R640,641			RK73GB1J103J	CHIP R 10K J 1/16W	
R203,204			RK73FB2A682J	CHIP R 6.8K J 1/10W		R644			RK73EB2B102J	CHIP R 1.0K J 1/8W	
R205			RK73FB2A471J	CHIP R 470 J 1/10W		R645			RK73EB2B222J	CHIP R 2.2K J 1/8W	
R206			RK73FB2A473J	CHIP R 47K J 1/10W		R647			RK73GB1J473J	CHIP R 47K J 1/16W	K1
R207			RK73FB2A101J	CHIP R 100 J 1/10W		R647,648			RK73GB1J473J	CHIP R 47K J 1/16W	M1
R208			RK73FB2A471J	CHIP R 470 J 1/10W		R649			RK73GB1J473J	CHIP R 47K J 1/16W	K1
R209			RK73FB2A473J	CHIP R 47K J 1/10W		R650-652			RK73GB1J104J	CHIP R 100K J 1/16W	
R210			RK73FB2A101J	CHIP R 100 J 1/10W		R653			RK73GB1J472J	CHIP R 4.7K J 1/16W	
R211,212			RK73GB1J223J	CHIP R 22K J 1/16W		R654			RK73GB1J473J	CHIP R 47K J 1/16W	
R301			RK73EB2B100J	CHIP R 10 J 1/8W		R657			RK73GB1J222J	CHIP R 2.2K J 1/16W	
R302			RK73EB2B4R7J	CHIP R 4.7 J 1/8W		R658,659			RK73GB1J471J	CHIP R 470 J 1/16W	
R303,304			RK73FB2A682J	CHIP R 6.8K J 1/10W		R664,665			RK73GB1J102J	CHIP R 1.0K J 1/16W	
R305			RK73FB2A471J	CHIP R 470 J 1/10W		R668			RK73GB1J471J	CHIP R 470 J 1/16W	
R306			RK73FB2A473J	CHIP R 47K J 1/10W		R669			RK73GB1J102J	CHIP R 1.0K J 1/16W	
R307			RK73FB2A101J	CHIP R 100 J 1/10W		R670			RK73GB1J222J	CHIP R 2.2K J 1/16W	
R308			RK73FB2A471J	CHIP R 470 J 1/10W		R672			RK73GB1J103J	CHIP R 10K J 1/16W	
R309			RK73FB2A473J	CHIP R 47K J 1/10W		R673			RK73GB1J223J	CHIP R 22K J 1/16W	
R310			RK73FB2A101J	CHIP R 100 J 1/10W		R674			RK73GB1J472J	CHIP R 4.7K J 1/16W	
R311,312			RK73GB1J223J	CHIP R 22K J 1/16W		R675			RK73FB2A471J	CHIP R 470 J 1/10W	
R401			RK73GB1J272J	CHIP R 2.7K J 1/16W		R676			RK73GB1J104J	CHIP R 100K J 1/16W	
R402,403			RK73FB2A472J	CHIP R 4.7K J 1/10W		R677,678			RK73GB1J473J	CHIP R 47K J 1/16W	
R407,408			RK73GB1J472J	CHIP R 4.7K J 1/16W		R679			RK73GB1J471J	CHIP R 470 J 1/16W	
R409			RK73GB1J104J	CHIP R 100K J 1/16W		R680			RK73GB1J104J	CHIP R 100K J 1/16W	
R410			RK73GB1J102J	CHIP R 1.0K J 1/16W		R682,683			RK73GB1J222J	CHIP R 2.2K J 1/16W	
R411			RK73GB1J303J	CHIP R 30K J 1/16W		R684			RK73GB1J471J	CHIP R 470 J 1/16W	
R412			RK73GB1J102J	CHIP R 1.0K J 1/16W		R685			RK73GB1J104J	CHIP R 100K J 1/16W	
R413			RK73GB1J472J	CHIP R 4.7K J 1/16W		R686			RK73GB1J471J	CHIP R 470 J 1/16W	
R414			RK73GB1J101J	CHIP R 100 J 1/16W		R687			RK73GB1J104J	CHIP R 100K J 1/16W	
R415			RK73GB1J103J	CHIP R 10K J 1/16W		R688			RK73GB1J471J	CHIP R 470 J 1/16W	
R501			RK73GB1J100J	CHIP R 10 J 1/16W		R701			RK73GB1J183J	CHIP R 18K J 1/16W	

DPX-4020

PARTS LIST

* New Parts

Parts without **Parts No.** are not supplied.

Les articles non mentionnes dans le **Parts No.** ne sont pas fournis.

Teile ohne **Parts No.** werden nicht geliefert.

SYNTHESIZER UNIT (X14-6710-XX)

Ref. No.	A d d	N e w	Parts No.	Description	Dest inati on
R702			RK73GB1J223J	CHIP R 22K J 1/16W	
R703			RK73GB1J153J	CHIP R 15K J 1/16W	
R704			RK73EB2B332J	CHIP R 3.3K J 1/8W	
R705			RK73GB1J223J	CHIP R 22K J 1/16W	
R706			RK73GB1J103J	CHIP R 10K J 1/16W	
R707			RK73EB2B103J	CHIP R 10K J 1/8W	
R708			RK73GB1J104J	CHIP R 100K J 1/16W	
R710			RK73EB2B102J	CHIP R 1.0K J 1/8W	
R711			RK73FB2A561J	CHIP R 560 J 1/10W	
R712			RK73FB2A472J	CHIP R 4.7K J 1/10W	
R713			R92-0365-05	CHIP R 1.0K J 1/2W	
R714			RK73FB2A223J	CHIP R 22K J 1/10W	
R715			R92-0365-05	CHIP R 1.0K J 1/2W	
R716			RK73FB2A472J	CHIP R 4.7K J 1/10W	
R717			RK73EB2B102J	CHIP R 1.0K J 1/8W	
R718,719			R92-0365-05	CHIP R 1.0K J 1/2W	
R720			RK73FB2A153J	CHIP R 15K J 1/10W	
R721			RK73FB2A101J	CHIP R 100 J 1/10W	
R722			RK73FB2A221J	CHIP R 220 J 1/10W	
R723			RK73GB1J153J	CHIP R 15K J 1/16W	
R724			RK73GB1J243J	CHIP R 24K J 1/16W	
R725			RK73GB1J432J	CHIP R 4.3K J 1/16W	
R726			RK73FB2A331J	CHIP R 330 J 1/10W	
R727			RK73EB2B821J	CHIP R 820 J 1/8W	
R728			RK73GB1J104J	CHIP R 100K J 1/16W	
R730			RK73EB2B621J	CHIP R 620 J 1/8W	
R732			R92-3295-05	METAL GLAZE RESISTOR	
R801			RK73EB2B101J	CHIP R 100 J 1/8W	
R802-804			RK73EB2B102J	CHIP R 1.0K J 1/8W	
R805-808			RK73EB2B101J	CHIP R 100 J 1/8W	
R901			RK73EB2B152J	CHIP R 1.5K J 1/8W	
R902			RK73EB2B471J	CHIP R 470 J 1/8W	
R903			RK73EB2B223J	CHIP R 22K J 1/8W	
W36			R92-2052-05	CHIP R 0 J 1/10W	
W39			R92-1252-05	CHIP R 0 OHM	
S1			S68-0823-05	PUSH SWITCH	
D1			HZM5.6N(B2)	ZENER DIODE	
D1			MA3056-M	ZENER DIODE	
D101			D1F60	DIODE	
D101			1SR154-400	DIODE	
D102			02CZ4.3-X	ZENER DIODE	
D201			HZM6.8N	ZENER DIODE	
D201			MA3068	ZENER DIODE	
D203			D1F60	DIODE	
D203			1SR154-400	DIODE	
D204-206			AM01Z	DIODE	
D204-206			1SR139-400	DIODE	
D301,302			HZM6.8N	ZENER DIODE	
D301,302			MA3068	ZENER DIODE	
D303-305			AM01Z	DIODE	
D303-305			1SR139-400	DIODE	
D306			D1F60	DIODE	
D306			1SR154-400	DIODE	
D401-404			DAP202U	DIODE	

Ref. No.	A d d	N e w	Parts No.	Description	Dest inati on
D401-404			MA142WA	DIODE	
D405			DAN202U	DIODE	
D405			MA142WK	DIODE	
D601,602			DAP202U	DIODE	
D601,602			MA142WA	DIODE	
D701			RM10ZLF	DIODE	
D702			MA8068-M	ZENER DIODE	
D703			02CZ11-X	ZENER DIODE	
D704			HZM6.8N(B2)	ZENER DIODE	
D704			MA3068-M	ZENER DIODE	
D705			DAN217	DIODE	
D706			HZM5.6N(B2)	ZENER DIODE	
D706			MA3056-M	ZENER DIODE	
D707			M1F60	DIODE	
D708			AM01Z	DIODE	
D708			1SR139-400	DIODE	
D709			DAN202K	DIODE	
D709			MA152WA	DIODE	
D710			M1F60	DIODE	
D711,712			AM01Z	DIODE	
D711,712			1SR139-400	DIODE	
D713			MA8056-M	ZENER DIODE	
D714			02CZ5.6-Y	ZENER DIODE	
D715			02CZ7.5-X	ZENER DIODE	
D801			FTZ6.8E	ZENER DIODE	
D801			HZM6.8FA	ZENER DIODE	
D802			HZM6.8WA	ZENER DIODE	
D802			MA3068WA	ZENER DIODE	
D802			STZ6.8N	ZENER DIODE	
D803			FTZ6.8E	ZENER DIODE	
D803			HZM6.8FA	ZENER DIODE	
D901			02CZ18-Y	ZENER DIODE	
D902			RD6.2F(B2)	ZENER DIODE	
IC1			MN101C15FCP	MI-COM IC	
IC2			TDA7407	ANALOGUE IC	
IC3			TC4066BF	MOS-IC	
IC3			TC4066BF(N)	MOS-IC	
IC4			M65849BFP	MOS-IC	
IC5			BA3129F	IC(SWITCH)	
IC7			TA8263BH	ANALOGUE IC	
IC8			LB1641	IC(MOTOR DRIVER)	
IC9			PST9135NR	ANALOGUE IC	
IC10			TC7W02FU	MOS-IC	
IC11			M5237ML	IC(VOLTAGE REGULATOR)	
Q1			2SC4081	TRANSISTOR	
Q2 ,3			CPH3105	TRANSISTOR	
Q4			FMG1A	DIGITAL TRANSISTOR	
Q101			2SB1443	TRANSISTOR	
Q102			DTC144EK	DIGITAL TRANSISTOR	
Q102			UN2213	DIGITAL TRANSISTOR	
Q201,202			DTC143TK	DIGITAL TRANSISTOR	
Q201,202			UN2216	DIGITAL TRANSISTOR	
Q301,302			DTC143TK	DIGITAL TRANSISTOR	
Q301,302			UN2216	DIGITAL TRANSISTOR	
Q401			DTC124EUA	DIGITAL TRANSISTOR	

PARTS LIST

* New Parts

Parts without **Parts No.** are not supplied.

Les articles non mentionnes dans le **Parts No.** ne sont pas fournis.

Teile ohne **Parts No.** werden nicht geliefert.

SYNTHESIZER UNIT (X14-6710-XX)

Ref. No.	Added	New	Parts No.	Description	Destination
Q401			UN5212	DIGITAL TRANSISTOR	
Q402			FMC2A	DIGITAL TRANSISTOR	
Q403,404			DTC144EUA	DIGITAL TRANSISTOR	
Q403,404			UN5213	DIGITAL TRANSISTOR	
Q405-407			DTA114EUA	DIGITAL TRANSISTOR	
Q405-407			UN5111	DIGITAL TRANSISTOR	
Q601			DTC114YUA	DIGITAL TRANSISTOR	
Q601			UN5114	DIGITAL TRANSISTOR	
Q602			DTA124EUA	DIGITAL TRANSISTOR	
Q602			UN5112	DIGITAL TRANSISTOR	
Q701			DTC144EUA	DIGITAL TRANSISTOR	
Q701			UN5213	DIGITAL TRANSISTOR	
Q702			FMW1	TRANSISTOR	
Q703			DTC144EUA	DIGITAL TRANSISTOR	
Q703			UN5213	DIGITAL TRANSISTOR	
Q705			DTA124EUA	DIGITAL TRANSISTOR	
Q705			UN5112	DIGITAL TRANSISTOR	
Q706			2SB1277(Q,R)	TRANSISTOR	
Q707			2SA1037K	TRANSISTOR	
Q708			DTA124EUA	DIGITAL TRANSISTOR	
Q708			UN5112	DIGITAL TRANSISTOR	
Q709			DTC114YUA	DIGITAL TRANSISTOR	
Q709			UN5114	DIGITAL TRANSISTOR	
Q710			2SB1277(Q,R)	TRANSISTOR	
Q711			DTC114YUA	DIGITAL TRANSISTOR	
Q711			UN5114	DIGITAL TRANSISTOR	
Q712			2SB1548(P)	TRANSISTOR	
Q713			2SC4081	TRANSISTOR	
Q714			IMD16A	TRANSISTOR	
Q715			FMC2A	DIGITAL TRANSISTOR	
Q716			2SB1548(P)	TRANSISTOR	
Q717			2SD1766	TRANSISTOR	
Q718			FMC2A	DIGITAL TRANSISTOR	
Q720			2SC4081	TRANSISTOR	
Q724			2SB1548(P)	TRANSISTOR	
Q901			FMC3A	DIGITAL TRANSISTOR	
Q902			2SB1446	TRANSISTOR	
Q903			2SC4081	TRANSISTOR	
TH1			PTH9C32BB471Q	POSITIVE RESISTOR	
A1			W02-3283-05	ELECTRIC CIRCUIT MODULE	
A2			X86-3280-11	TUNER UNIT	
SUB CIRCUIT UNIT (X16-1250-00)					
D1 ,2			B30-1575-05	LED(1608,YG)	
C1			CK73GB1C104K	CHIP C 0.10UF K	
CN1			E41-0131-05	FLAT CABLE CONNECTOR	
R1			RK73EB2B391J	CHIP R 390 J 1/8W	
R2			RK73FB2A220J	CHIP R 22 J 1/10W	
R3			RK73GB1J102J	CHIP R 1.0K J 1/16W	
S1			S70-0873-05	TACT SWITCH	
IC1			SBX3050-02	ANALOGUE IC	

Ref. No.	Added	New	Parts No.	Description	Destination
SWITCH UNIT (X25-8970-00)					
D6 ,7			B30-1564-05	LED(1608,BLUE)	
D8			B30-1575-05	LED(1608,YG)	
C1			C92-1430-05	CHIP C 22UF 16WV	
C2			CK73GB1E223K	CHIP C 0.022UF K	
C3			CK73GB1H153K	CHIP C 0.015UF K	
C4			CK73GB1E223K	CHIP C 0.022UF K	
C5			CC73GCH1H101J	CHIP C 100PF J	
C6			CK73FB1A225K	CHIP C 2.2UF K	
C7			CK73FB1A105K	CHIP C 1.0UF K	
C8			CC73GCH1H100D	CHIP C 10PF D	
C9			C92-1430-05	CHIP C 22UF 16WV	
C10			CK73GB1H103K	CHIP C 0.010UF K	
C11			C92-1359-05	CHIP-TAN 10UF 16WV	
C12 ,13			CC73GCH1H100D	CHIP C 10PF D	
C14			CK73GB1C104K	CHIP C 0.10UF K	
C16 ,17			CK73GB1H103K	CHIP C 0.010UF K	
CN1			E40-9459-05	FLAT CABLE CONNECTOR	
L1			L40-4795-68	SMALL FIXED INDUCTOR(4.7UH)	
L2			L92-0332-05	CHIP FERRITE	
X1			L78-0842-05	RESONATOR	
CP1			R90-0737-05	MULTI-COMP 100K X2	
CP2			R90-0725-05	MULTI-COMP 1K X2	
CP3			R90-0720-05	MULTI-COMP 100K X4	
CP4			R90-0724-05	MULTI-COMP 1K X4	
CP5			R90-0720-05	MULTI-COMP 100K X4	
CP6			R90-0725-05	MULTI-COMP 1K X2	
CP7			R90-0724-05	MULTI-COMP 1K X4	
CP8			R90-0725-05	MULTI-COMP 1K X2	
CP9			R90-0724-05	MULTI-COMP 1K X4	
R1 ,2			R92-2565-05	METAL GLAZE RESISTOR	
R3			RK73EB2B471J	CHIP R 470 J 1/8W	
R4 -9			RK73EB2B102J	CHIP R 1.0K J 1/8W	
R10			RK73GB1J104J	CHIP R 100K J 1/16W	
R11			RK73GB1J223J	CHIP R 22K J 1/16W	
R12			RK73EB2B102J	CHIP R 1.0K J 1/8W	
R14 -17			RK73EB2B102J	CHIP R 1.0K J 1/8W	
R18			RK73EB2B270J	CHIP R 27 J 1/8W	
R19			RK73FB2A473J	CHIP R 47K J 1/10W	
R20			RK73GB1J223J	CHIP R 22K J 1/16W	
R21			RK73GB1J2R2J	CHIP R 2.2 J 1/16W	
R22			RK73GB1J473J	CHIP R 47K J 1/16W	
R23			RK73GB1J104J	CHIP R 100K J 1/16W	
R24			RK73GB1J473J	CHIP R 47K J 1/16W	
R25 ,26			RK73GB1J224J	CHIP R 220K J 1/16W	
R27			RK73GB1J244J	CHIP R 240K J 1/16W	
R28			RK73GB1J272J	CHIP R 2.7K J 1/16W	
R29			RK73GB1J104J	CHIP R 100K J 1/16W	
S1			S70-0873-05	TACT SWITCH	
S2			S70-0841-05	TACT SWITCH	
S3 ,4			S70-0873-05	TACT SWITCH	
S5			S70-0841-05	TACT SWITCH	

DPX-4020

PARTS LIST

* New Parts

Parts without **Parts No.** are not supplied.

Les articles non mentionnes dans le **Parts No.** ne sont pas fournis.

Teile ohne **Parts No.** werden nicht geliefert.

SWITCH UNIT (X25-8970-00)

Ref. No.	A d d	N e w	Parts No.	Description	Dest ination
S6 ,7			S70-0873-05	TACT SWITCH	
S8			S70-0841-05	TACT SWITCH	
S9 ,10			S70-0873-05	TACT SWITCH	
S11 ,12			S70-0841-05	TACT SWITCH	
S13 -15			S70-0873-05	TACT SWITCH	
S16			S70-0841-05	TACT SWITCH	
S17			S70-0842-05	TACT SWITCH	
S18			S70-0841-05	TACT SWITCH	
S19 ,20			S70-0869-05	TACT SWITCH	
S21			S70-0842-05	TACT SWITCH	
D1 -5			DAN202U	DIODE	
D1 -5			MA152WA	DIODE	
D9			DAN202U	DIODE	
D9			MA152WA	DIODE	
D10 ,11			HZM5.6N(B2)	ZENER DIODE	
D10 ,11			MA3056-M	ZENER DIODE	
ED1			CN2003M	FLUORESCENT INDICATOR TUBE	
IC1			MN101C10AAL	MI-COM IC	
IC2			BA3830F	ANALOGUE IC	
Q1			DTC114EUA	DIGITAL TRANSISTOR	
Q1			UN5211	DIGITAL TRANSISTOR	
Q2			2SK3018	FETO	
Q3			UMC3N	TRANSISTOR	
Q4			FMC4A	DIGITAL TRANSISTOR	
Q5			DTC114EUA	DIGITAL TRANSISTOR	
Q5			UN5211	DIGITAL TRANSISTOR	
CD PLAYER UNIT (X32-5010-00)					
C1 ,2			CK73FB1C105K	CHIP C 1.0UF K	
C3			CK73FB0J475K	CHIP C 4.7UF K	
C4			C92-0566-05	CHIP-TAN 10UF 6.3WV	
C5			CC73GCH1H150J	CHIP C 15PF J	
C6			CC73GCH1H020C	CHIP C 2.0PF C	
C7			CK73GB1C104K	CHIP C 0.10UF K	
C8			CK73FB1C105K	CHIP C 1.0UF K	
C10			CK73GB1H472K	CHIP C 4700PF K	
C11			CK73GB1H682K	CHIP C 6800PF K	
C12			CK73GB1H332K	CHIP C 3300PF K	
C13			CK73GB1C333K	CHIP C 0.033UF K	
C14			CK73GB1H472K	CHIP C 4700PF K	
C15			CK73GB1C473K	CHIP C 0.047UF K	
C16			CC73GCH1H151J	CHIP C 150PF J	
C17			CK73GB1H472K	CHIP C 4700PF K	
C18			CC73GCH1H221J	CHIP C 220PF J	
C19 ,20			CK73GB1C104K	CHIP C 0.10UF K	
C21			CK73FB0J475K	CHIP C 4.7UF K	
C23			CK73GB1H102K	CHIP C 1000PF K	
C24			CK73GB1E223K	CHIP C 0.022UF K	
C25			CK73GB1H153K	CHIP C 0.015UF K	
C26			CK73GB0J105K	CHIP C 1.0UF K	
C28			CK73GB0J105K	CHIP C 1.0UF K	
C29			CK73GB1C104K	CHIP C 0.10UF K	
C33			CK73GB1C104K	CHIP C 0.10UF K	
C35			CK73GB1C104K	CHIP C 0.10UF K	
C41			CK73EB1C225K	CHIP C 2.2UF K	

Ref. No.	A d d	N e w	Parts No.	Description	Dest ination
C43			CK73GB1H153K	CHIP C 0.015UF K	
C45			CK73GB1H153K	CHIP C 0.015UF K	
C46			CK73GB1C473K	CHIP C 0.047UF K	
C55			CK73GB1C104K	CHIP C 0.10UF K	
C68			CK73GB1C104K	CHIP C 0.10UF K	
C71 ,72			CK73GB1H471K	CHIP C 470PF K	
C77 ,78			CC73GCH1H680J	CHIP C 68PF J	
C79 ,80			CK73GB1H222K	CHIP C 2200PF K	
C85			CK73GB1C104K	CHIP C 0.10UF K	
C89			CK73GB1H222K	CHIP C 2200PF K	
C90			CK73GB1C104K	CHIP C 0.10UF K	
CN1			E40-9536-05	FLAT CABLE CONNECTOR	
CN2			E40-9339-05	FLAT CABLE CONNECTOR	
CN2			E41-0036-05	FLAT CABLE CONNECTOR	
CN2			E41-0129-05	FLAT CABLE CONNECTOR	
X1			L78-0572-05	RESONATOR (16.93MHZ)	
CP1 -3			R90-1019-05	MULTI-COMP 100 X2	
R3			RK73GB1J272J	CHIP R 2.7K J 1/16W	
R5			RK73GB1J361J	CHIP R 360 J 1/16W	
R6			RK73GB1J272J	CHIP R 2.7K J 1/16W	
R8			RK73EB2B4R7J	CHIP R 4.7 J 1/8W	
R9			RK73EB2B100J	CHIP R 10 J 1/8W	
R10 ,11			RK73GB1J103J	CHIP R 10K J 1/16W	
R12			RK73GB1J912J	CHIP R 9.1K J 1/16W	
R15			RK73GB1J824J	CHIP R 820K J 1/16W	
R16			RK73GB1J223J	CHIP R 22K J 1/16W	
R17			RK73GB1J433J	CHIP R 43K J 1/16W	
R18			RK73GB1J392J	CHIP R 3.9K J 1/16W	
R19			RK73GB1J513J	CHIP R 51K J 1/16W	
R20			RK73GB1J104J	CHIP R 100K J 1/16W	
R21			RK73GB1J244J	CHIP R 240K J 1/16W	
R32			RK73GB1J104J	CHIP R 100K J 1/16W	
R34			RK73GB1J683J	CHIP R 68K J 1/16W	
R36			RK73GB1J151J	CHIP R 150 J 1/16W	
R37			RK73GB1J471J	CHIP R 470 J 1/16W	
R38			RK73GB1J224J	CHIP R 220K J 1/16W	
R46			RK73GB1J102J	CHIP R 1.0K J 1/16W	
R47			RK73GB1J103J	CHIP R 10K J 1/16W	
R49			RK73GB1J472J	CHIP R 4.7K J 1/16W	
R52			RK73GB1J104J	CHIP R 100K J 1/16W	
R54			RK73GB1J104J	CHIP R 100K J 1/16W	
R71			RK73GB1J103J	CHIP R 10K J 1/16W	
R72			RK73GB1J102J	CHIP R 1.0K J 1/16W	
R73			RK73GB1J473J	CHIP R 47K J 1/16W	
R75			RK73GB1J333J	CHIP R 33K J 1/16W	
R76			RK73GB1J622J	CHIP R 6.2K J 1/16W	
R77			RK73GB1J563J	CHIP R 56K J 1/16W	
R78			RK73GB1J243J	CHIP R 24K J 1/16W	
R81			RK73GB1J333J	CHIP R 33K J 1/16W	
R82			RK73GB1J123J	CHIP R 12K J 1/16W	
R83			RK73GB1J102J	CHIP R 1.0K J 1/16W	
R102			RK73GB1J332J	CHIP R 3.3K J 1/16W	
R104			RK73GB1J562J	CHIP R 5.6K J 1/16W	

PARTS LIST

* New Parts

Parts without **Parts No.** are not supplied.

Les articles non mentionnes dans le **Parts No.** ne sont pas fournis.

Teile ohne **Parts No.** werden nicht geliefert.

CD PLAYER UNIT (X32-5010-00)

Ref. No.	Added	New	Parts No.	Description	Destination
R107,108			RK73FB2A331J	CHIP R 330 J 1/10W	
R117,118			RK73FB2A203J	CHIP R 20K J 1/10W	
R121,122			RK73FB2A203J	CHIP R 20K J 1/10W	
R125,126			RK73FB2A203J	CHIP R 20K J 1/10W	
R202			RK73GB1J104J	CHIP R 100K J 1/16W	
R214			RK73GB1J104J	CHIP R 100K J 1/16W	
R218			RK73GB1J473J	CHIP R 47K J 1/16W	
R233			RK73GB1J622J	CHIP R 6.2K J 1/16W	
R234			RK73GB1J103J	CHIP R 10K J 1/16W	
R238			RK73FB2A201J	CHIP R 200 J 1/10W	
W17			R92-2053-05	CHIP R 0 J 1/8W	
S1 ,2			S68-0838-05	PUSH SWITCH	
S3			S68-0859-05	PUSH SWITCH	
D1 ,2			DAN202U	DIODE	
D3			DA204U	DIODE	
D4			DAN202U	DIODE	
D5			MA8051-L	ZENER DIODE	
IC1			AN22000AA	ANALOGUE IC	
IC2			MN662774KG1	MOS-IC	
IC4			BA5917AFP	ANALOGUE IC	
IC6			NJM4565MD	IC(OP AMP X2)	
Q1			MCH6101	TRANSISTORO	
Q2			DTC124EUA	DIGITAL TRANSISTOR	
Q3			DTA143XUA	DIGITAL TRANSISTOR	
Q4			2SA1362(Y)	TRANSISTOR	
Q5			DTC124EUA	DIGITAL TRANSISTOR	
DOLBY UNIT (X87-3040-00)					
C1 -4			CC73GCH1H471J	CHIP C 470PF J	
C5			CE04NW1A330M	ELECTRO 33UF 10WV	
C6			CE04NW1A470M	ELECTRO 47UF 10WV	
C7 ,8			CK73GB1H103K	CHIP C 0.010UF K	
C9			CE04NW1A330M	ELECTRO 33UF 10WV	
C10			CC73GCH1H101J	CHIP C 100PF J	
C11 -14			CK73GB1C104K	CHIP C 0.10UF K	
C15 ,16			CE04NW1A330M	ELECTRO 33UF 10WV	
C17			CK73GB1A474K	CHIP C 0.47UF K	
C18 ,19			CC73GCH1H101J	CHIP C 100PF J	
C20			CK73GB1H472K	CHIP C 4700PF K	
C23			CK73GB1A224K	CHIP C 0.22UF K	
C24			CK73GB1E473K	CHIP C 0.047UF K	
C25 -30			CC73GCH1H101J	CHIP C 100PF J	
CN2			E40-9218-05	PIN ASSY	
CN3			E40-9701-05	FLAT CABLE CONNECTOR	
CN4			E40-5460-05	SOCKET FOR PIN ASSY	
W1 -9			E31-0001-00	JUMPER WIRE	
			J74-1226-02	RIGID PRINTED WIRING BOARD	
R1 -4			RK73FB2A243J	CHIP R 24K J 1/10W	
R5 ,6			RK73FB2A181J	CHIP R 180 J 1/10W	
R7			RK73GB1J203J	CHIP R 20K J 1/16W	
R8			RK73GB1J564J	CHIP R 560K J 1/16W	
R9			RK73GB1J362J	CHIP R 3.6K J 1/16W	
R10			RK73GB1J333J	CHIP R 33K J 1/16W	

Ref. No.	Added	New	Parts No.	Description	Destination
R11 ,12			RK73FB2A102J	CHIP R 1.0K J 1/10W	
R13			RK73EB2B4R7J	CHIP R 4.7 J 1/8W	
VR1 ,2			R12-3100-05	TRIMMING POT.(10K)	
W11 ,12			R92-2052-05	CHIP R 0 J 1/10W	
W14			R92-2052-05	CHIP R 0 J 1/10W	
IC1			CXA2560Q	ANALOGUE IC	
Q1			DTC124EK	DIGITAL TRANSISTOR	
Q1			KRC103S	DIGITAL TRANSISTOR	
Q1			UN2212	DIGITAL TRANSISTOR	
CD MECHANISM ASSY (X92-4130-00)					
401	2C		A10-4482-01	CHASSIS	
402	1D		A10-4225-33	CHASSIS CALKING ASSY	
403	2D		A11-0915-43	SUB CHASSIS CALKING ASSY	
406	2C		D10-4306-04	ARM ASSY	
407	2C		D10-4305-04	ARM ASSY	
408	3C		D10-3087-44	ARM ASSY	
409	3D		D10-3092-03	SLIDER	
410	3D		D10-3093-04	SLIDER ASSY	
411	2D		D10-3095-04	SLIDER ASSY	
412	2D		D10-3096-04	SLIDER ASSY	
413	1C		D10-3099-24	SLIDER ASSY	
414	1C		D10-3100-04	SLIDER ASSY	
416	1D		D10-4004-04	LEVER ASSY	
417	1D		D10-4006-04	LEVER	
418	1C		D10-4007-04	LEVER	
419	2D		D10-4008-14	LEVER	
420	2C		D10-4009-23	ARM	
421	3C		D10-4010-04	LEVER	
422	3C		D10-4307-04	LEVER ASSY	
424	3D		D10-4050-04	ARM	
425	3C		D10-4038-23	ARM ASSY	
426	2C		D10-4123-24	LEVER ASSY	
427	3C		D13-1442-03	RACK (GEAR)	
429	3D		D13-1231-04	GEAR	
430	3C		D13-1240-04	GEAR	
431	3D		D13-1233-04	GEAR	
432	3D		D13-1234-14	GEAR ASSY	
433	3C		D13-1441-03	GEAR	
434	3D		D13-1232-04	GEAR	
435	3D		D13-1241-04	GEAR	
436	3C		D13-1242-04	GEAR	
437	1D		D13-1243-04	GEAR	
438	1D		D13-1244-04	GEAR	
439	1D		D13-1245-14	GEAR	
440	2C		D13-1246-04	GEAR	
441	2D		D13-1247-04	GEAR	
443	2D		D13-1249-04	GEAR ASSY	
444	2D		D13-1341-04	GEAR ASSY (LEAD SCREW)	
445	1D		D14-0668-04	ROLLER	
446	2C		D14-0670-04	ROLLER	
447	3D		D14-0674-04	ROLLER	
449	3C		D21-2228-14	SHAFT	
450	1C		D21-2229-04	SHAFT	
451	1C		D23-0925-24	RETAINER	

DPX-4020

PARTS LIST

* New Parts

Parts without **Parts No.** are not supplied.

Les articles non mentionnes dans le **Parts No.** ne sont pas fournis.

Teile ohne **Parts No.** werden nicht geliefert.

CD MECHANISM ASSY (X92-4130-00)

Ref. No.	A d d	N e w	Parts No.	Description	Dest inati on
452	2C		D32-0614-04	STOPPER	
453	1D		D39-0223-05	DAMPER (YELLOW)	
454	2D		D39-0224-05	DAMPER (BLACK)	
455	3D		F09-1246-04	SHEET	
458	3D		F09-1266-14	SHEET	
460	2C		G01-2770-04	EXTENSION SPRING	
461	3C		G01-2771-04	EXTENSION SPRING	
462	3C		G01-2772-24	EXTENSION SPRING	
463	3C		G01-2773-14	EXTENSION SPRING	
464	3C		G01-2774-34	EXTENSION SPRING	
465	1D		G01-2775-04	TORSION COIL SPRING	
466	1D		G01-2776-14	TORSION COIL SPRING	
467	3D		G01-2777-24	TORSION COIL SPRING	
469	2C		G01-2844-04	EXTENSION SPRING	
470	2C		G02-1231-04	FLAT SPRING	
471	2D		G02-1232-24	FLAT SPRING	
472	2C		G02-1241-24	FLAT SPRING	
475	2C		J11-0613-13	CLAMPER	
476	3C		J19-4678-13	HOLDER	
477	2D		J19-4679-24	HOLDER	
478	3D		J21-7684-13	MOUNTING HARDWARE	
479	2D		J21-7686-13	MOUNTING HARDWARE	
480	1D		J21-7690-03	MOUNTING HARDWARE	
482	3C		J84-0107-05	FLEXIBLE PRINTED WIRING BOARD	
483	1C		J90-0757-22	GUIDE	
A	2C		N09-4249-05	MACHINE SCREW (M1.7X2.5,LOCK)	
B	1D		N09-4172-05	TAPPING SCREW (2X3.5,CTITE)	
C	2D		N09-4202-05	STEPPED SCREW	
D	2C		N38-2020-46	PAN HEAD MACHIN SCREW	
E	3C		N09-4294-05	TAPTITE SCREW (BIND P TAPTIT)	
F	3D		N19-2023-04	FLAT WASHER	
G	2C		N19-2058-04	FLAT WASHER	
H	3C		N19-2093-04	FLAT WASHER	
J	2C		N39-2020-46	PAN HEAD MACHIN SCREW	
DM1	3D		T42-0764-04	DC MOTOR ASSY	
DM2	3D		T42-0763-04	DC MOTOR ASSY	
DPU1	2D		T25-0215-05	OPTICAL PICKUP HEAD	

Ref. No.	A d d	N e w	Parts No.	Description	Dest inati on
24	1A		D10-4380-08	LEVER(EJE-LEV-A)	
25	1A		G01-2960-08	TENSION COIL SPRING(E LEV-SP)	
26	3A		D13-1499-08	GEAR(FR)	
27	3A		D10-4381-08	ARM(FR-PLATE)	
30	2B		D10-4382-08	ARM ASSY(PINCH ROLLER F)	
31	2B		D10-4383-08	ARM ASSY(PINCH ROLLER R)	
33	1B		G01-2961-08	TORSION SPRING(SA)	
34	2B		D10-4384-08	ARM(SW)	
44	1A		E39-0425-08	WIRE HARNESS(M CONNECTOR ASSY)	
45	2A		J11-0632-08	CLAMPER	
48	3B		D01-0613-08	FLYWHEEL ASSY	
49	3B		D16-0616-08	BELT	
52	1B		D10-4385-08	ARM(CASSETTE LIFTER B)	
53	1B		J19-4953-08	CASSETTE HOLDER	
54	1A		G11-1861-08	CUSHION	
56	1B		D10-4386-08	ARM ASSY	
57	1B		G01-2962-08	TENSION COIL SPRING	
58	1B		D10-4387-08	SLIDER	
65	2A		B09-0522-08	REEL CAP	
66	2A		G01-2963-08	COMPRESSION SPRING	
67	2A		D03-0314-08	REEL GEAR ASSY	
75	3A		J69-0510-08	ADHESIVE TAPE(FFC)	
90	3A		J26-4043-08	PC BORD ASSY	
92	3A		E39-0424-08	FLAT CABLE(FFCM4)	
94	3A		T95-0245-08	PHOTO COUPLER	
A	3A		N09-4324-08	SCREW(2X2.5)	
B	2A		N19-2136-08	FLAT WASHER(1.55X35)	
C	2A		N09-4325-08	SCREW(2X13ADS)	
CM1	1A		T42-1002-08	MOTOR ASSY(MAIN)	
CM2	1A		T42-1001-08	MOTOR ASSY(SUB A)	
D	2A		N09-4326-08	SCREW(2X3)	
E	2A		N09-4058-08	SEMS(2X3AMS)	
F	2B		N19-2038-08	FLAT WASHER(0.85X2.8)	
G	2B		N19-2136-08	FLAT WASHER(1.55X3)	
H	2B		N19-2137-08	FLAT WASHER(2.1X3.5)	
HD1	2B		T31-0226-08	PLAYBACK HEAD	
J	3B		N19-2138-08	FLAT WASHER(2.1X3.5)	
K	3B		N09-4327-08	SCREW	
N	1B		N19-2139-08	FLAT WASHER(2.1X4.0)	

CASSETTE MECHANISM ASSY (D40-1167-05)

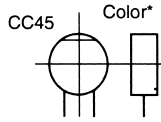
1	2B		A10-4630-08	CHASSIS ASSY	
4	3B		D10-4375-08	SLIDER(MAIN PLATE)	
5	3A		D13-1494-08	GEAR(B)	
6	3A		D13-1495-08	GEAR(C)	
7	3A		D13-1496-08	GEAR(D)	
9	2B		D10-4376-08	ARM(P-G PLATE)	
10	2B		J90-0948-08	GUID	
11	2B		D15-0919-08	PULLEY(MID)	
12	2B		D13-1497-08	GEAR(P)	
15	2B		J21-9458-08	MOUNTING HARDWARE(HEAD P-AS)	
17	2B		G02-1332-08	FLAT SPRING(HEAD SP-P)	
20	2A		D13-1498-08	RACK GEAR(OP PLATE A)	
21	1A		D10-4377-08	LEVER(EJ-LEV-A)	
22	3B		D10-4378-08	LEVER(SB.PL-AS)	
23	2A		D10-4379-08	LEVER(OP-PL-HO)	

PARTS LIST

CAPACITORS

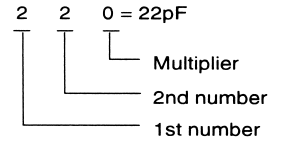
CC 45 TH 1H 220 J
 1 2 3 4 5 6

- 1 = Type ... ceramic, electrolytic, etc.
- 2 = Shape ... round, square, ect.
- 3 = Temp. coefficient
- 4 = Voltage rating
- 5 = Value
- 6 = Tolerance



Capacitor value

- 010 = 1pF
- 100 = 10pF
- 101 = 100pF
- 102 = 1000pF = 0.001μF
- 103 = 0.01μF



Temperature coefficient

1st Word	C	L	P	R	S	T	U
Color*	Black	Red	Orange	Yellow	Green	Blue	Violet
ppm/°C	0	-80	-150	-220	-330	-470	-750

2nd Word	G	H	J	K	L
ppm/°C	±30	±60	±120	±250	±500

Example : CC45TH = -470 ± 60ppm/°C

Tolerance (More than 10pF)

Code	C	D	G	J	K	M	X	Z	P	No code
(%)	±0.25	±0.5	±2	±5	±10	±20	+40 -40	+80 -20	+100 -0	More than 10μF -10 ~ +50 Less than 4.7μF -10 ~ +75

(Less than 10pF)

Gode	B	C	D	F	G
(pF)	±0.1	±0.25	±0.5	±1	±2

Voltage rating

2nd word	A	B	C	D	E	F	G	H	J	K	V	
1st word	0	1.0	1.25	1.6	2.0	2.5	3.15	4.0	5.0	6.3	8.0	-
1	10	12.5	16	20	25	31.5	40	50	63	80	35	-
2	100	125	160	200	250	315	400	500	630	800	-	-
3	1000	1250	1600	2000	2500	3150	4000	5000	6300	8000	-	-

Chip capacitors

(EX) C C 7 3 F S L 1 H 0 0 0 J
 1 2 3 4 5 6 7

(Chip)(CH,RH<UJ,SL)

(EX) C K 7 3 F F 1 H 0 0 0 Z
 1 2 3 4 5 6 7

(Chip)(B,F)

Refer to the table above.

- 1 = Type
- 2 = Shape
- 3 = Dimension
- 4 = Temp. coefficient
- 5 = Voltage rating
- 6 = Value
- 7 = Tolerance

Dimension (Chip capacitors)

Dimension code	L	W	T
Empty	5.6 ± 0.5	5.0 ± 0.5	Less than 2.0
A	4.5 ± 0.5	3.2 ± 0.4	Less than 2.0
B	4.5 ± 0.5	2.0 ± 0.3	Less than 2.0
C	4.5 ± 0.5	1.25 ± 0.2	Less than 1.25
D	3.2 ± 0.4	2.5 ± 0.3	Less than 1.5
E	3.0 ± 0.2	1.6 ± 0.2	Less than 1.25
F	2.0 ± 0.3	1.25 ± 0.2	Less than 1.25
G	1.6 ± 0.2	0.8 ± 0.2	Less than 1.0
H	1.0 ± 0.05	0.5 ± 0.05	0.5 ± 0.05

RESISTORS

Chip resistor (Carbon)

(EX) R K 7 3 E B 2 B 0 0 0 J
 1 2 3 4 5 6 7

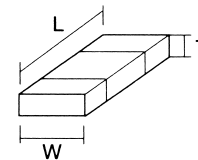
(Chip)(B,F)

Carbon resistor (Nomal type)

(EX) R D 1 4 B B 2 C 0 0 0 J
 1 2 3 4 5 6 7

- 1 = Type
- 2 = Shape
- 3 = Dimension
- 4 = Temp. coefficient
- 5 = Rating wattage
- 6 = Value
- 7 = Tolerance

Dimension



Dimension (Chip resistor)

Dimension code	L	W	T
E	3.2 ± 0.2	1.6 ± 0.2	1.0
F	2.0 ± 0.3	1.25 ± 0.2	1.0
G	1.6 ± 0.2	0.8 ± 0.2	0.5 ± 0.1
H	1.0 ± 0.05	0.5 ± 0.05	0.35 ± 0.05

Rating wattage

Code	Wattage	Code	Wattage	Code	Wattage
1J	1/16W	2C	1/16W	3A	1W
2A	1/10W	2E	1/4W	3D	2W
2B	1/8W	2H	1/2W		

DPX-4020

SPECIFICATIONS

●M type

FM Section

Frequency Range	87.5MHz~108.0MHz(50kHz)
(Frequency Step)	87.9MHz~107.9MHz(200kHz)
Channel Space Selection	50kHz/200kHz
Usable Sensitivity(S/N:30dB)	9.3dBf(0.8 μ /75 Ω)
Quieting Sensitivity(S/N:50dB)	15.2dBf(1.6 μ V/75 Ω)
Frequency Response(\pm 3.0dB)	30Hz~15kHz
S/N(dB)	70dB(MONO)
Selectivity	\geq 80dB(\pm 400kHz)
Stereo Separation	40dB(1kHz)

AM Section

Frequency Range	531kHz~1611kHz(9kHz)
(Frequency Step)	530kHz~1700kHz(10kHz)
Channel Space Selection	9kHz/10kHz
Usable Sensitivity(S/N:20dB)	28dB μ V(25 μ V)

CASSETTE Section

Tape Speed	4.76cm/sec.
Wow & Flutter	0.08%(WRMS)
Frequency Response(\pm 3.0dB)	25Hz~22kHz(70 μ s)
Stereo Separation	40(1kHz)
S/N Ratio(dB) Dolby NR off	60dB(BNR off)
Dolby BNR on	68dB

CD Section

Laser Diode	GaAlAs(λ =780nm)
Digital Filter(D/A)	8 Times Over Sampling
D/A Converter	1Bit
Spindle Speed	500~200rpm(CLV)
Wow & Flutter	Below Mesurable Limit
Frequency Response	10Hz~20kHz(\pm 1dB)
Total Harmonic Distortion	0.01%(1kHz)
S/N Ratio	93dB(1kHz)
Dynamic Range	93dB
Channel Separation	85dB

AMPLIFIER Section

Maximum Power	47W \times 4
Full Bandwidth Power	22W \times 4(at less than 1%THD)
Preout Level(V)	1500mV/10k Ω
Preout Impedance(Ω)	\leq 600 Ω

GENERAL

Operating Voltage	14.4V(11V~16V)
Current Consumption	10A
Installation Size (W)	178mm(7in)
(H)	100mm(3-15/16in)
(D)	155mm(6-1/8in)
Weight	2.7kg

●K type

FM Section

Frequency Range	87.9MHz~107.9MHz
(Frequency Step)	(200kHz)
Channel Space Selection	—
Usable Sensitivity(S/N:30dB)	9.3dBf(0.8 μ /75 Ω)
Quieting Sensitivity(S/N:50dB)	15.2dBf(1.6 μ V/75 Ω)
Frequency Response(\pm 3.0dB)	30Hz~15kHz
S/N(dB)	70dB(MONO)
Selectivity	\geq 80dB(\pm 400kHz)
Stereo Separation	40dB(1kHz)

AM Section

Frequency Range	530kHz~1700kHz
(Frequency Step)	(10kHz)
Channel Space Selection	—
Usable Sensitivity(S/N:20dB)	28dB μ V(25 μ V)

CASSETTE Section

Tape Speed	4.76cm/sec.
Wow & Flutter	0.08%(WRMS)
Frequency Response(\pm 3.0dB)	25Hz~22kHz(70 μ s)
Stereo Separation	40(1kHz)
S/N Ratio(dB) Dolby NR off	60dB(BNR off)
Dolby BNR on	68dB

CD Section

Laser Diode	GaAlAs(λ =780nm)
Digital Filter(D/A)	8 Times Over Sampling
D/A Converter	1Bit
Spindle Speed	500~200rpm(CLV)
Wow & Flutter	Below Mesurable Limit
Frequency Response	10Hz~20kHz(\pm 1dB)
Total Harmonic Distortion	0.01%(1kHz)
S/N Ratio	93dB(1kHz)
Dynamic Range	93dB
Channel Separation	85dB

AMPLIFIER Section

Maximum Power	47W \times 4
Full Bandwidth Power	22W \times 4(at less than 1%THD)
Preout Level(V)	1500mV/10k Ω
Preout Impedance(Ω)	\leq 600 Ω

GENERAL

Operating Voltage	14.4V(11V~16V)
Current Consumption	10A
Installation Size (W)	178mm(7in)
(H)	100mm(3-15/16in)
(D)	155mm(6-1/8in)
Weight	2.7kg (5.9lbs)

KENWOOD follows a policy of continuous advancements in development. For this reason specifications may be changed without notice.

Manufactured under license from Dolby Laboratories.

“Dolby” and the double-D symbol are trademarks of Dolby Laboratories.

KENWOOD CORPORATION

14-6, Dogenzaka 1-chome, Shibuya-ku, Tokyo 150-8501 Japan